

SUPER[®]

SUPER[®]P8SCT

USER'S MANUAL

Revision 1.1a

The information in this User's Manual has been carefully reviewed and is believed to be accurate. The vendor assumes no responsibility for any inaccuracies that may be contained in this document, makes no commitment to update or to keep current the information in this manual, or to notify any person or organization of the updates. **Please Note: For the most up-to-date version of this manual, please see our web site at www.supermicro.com.**

SUPER MICRO COMPUTER reserves the right to make changes to the product described in this manual at any time and without notice. This product, including software, if any, and documentation may not, in whole or in part, be copied, photocopied, reproduced, translated or reduced to any medium or machine without prior written consent.

IN NO EVENT WILL SUPER MICRO COMPUTER BE LIABLE FOR DIRECT, INDIRECT, SPECIAL, INCIDENTAL, SPECULATIVE OR CONSEQUENTIAL DAMAGES ARISING FROM THE USE OR INABILITY TO USE THIS PRODUCT OR DOCUMENTATION, EVEN IF ADVISED OF THE POSSIBILITY OF SUCH DAMAGES. IN PARTICULAR, SUPER MICRO COMPUTER SHALL NOT HAVE LIABILITY FOR ANY HARDWARE, SOFTWARE, OR DATA STORED OR USED WITH THE PRODUCT, INCLUDING THE COSTS OF REPAIRING, REPLACING, INTEGRATING, INSTALLING OR RECOVERING SUCH HARDWARE, SOFTWARE, OR DATA.

Any disputes arising between manufacturer and customer shall be governed by the laws of Santa Clara County in the State of California, USA. The State of California, County of Santa Clara shall be the exclusive venue for the resolution of any such disputes. Super Micro's total liability for all claims will not exceed the price paid for the hardware product.

FCC Statement: This equipment has been tested and found to comply with the limits for a Class A digital device pursuant to Part 15 of the FCC Rules. These limits are designed to provide reasonable protection against harmful interference when the equipment is operated in a commercial environment. This equipment generates, uses, and can radiate radio frequency energy and, if not installed and used in accordance with the manufacturer's instruction manual, may cause harmful interference with radio communications. Operation of this equipment in a residential area is likely to cause harmful interference, in which case you will be required to correct the interference at your own expense.

California Best Management Practices Regulations for Perchlorate Materials: This Perchlorate warning applies only to products containing CR (Manganese Dioxide) Lithium coin cells. "Perchlorate Material-special handling may apply. See www.dtsc.ca.gov/hazardouswaste/perchlorate"

WARNING: Handling of lead solder materials used in this product may expose you to lead, a chemical known to the State of California to cause birth defects and other reproductive harm.

Manual Revision 1.1a

Release Date: July 25, 2007

Unless you request and receive written permission from SUPER MICRO COMPUTER, you may not copy any part of this document.

Information in this document is subject to change without notice. Other products and companies referred to herein are trademarks or registered trademarks of their respective companies or mark holders.

Copyright © 2007 by SUPER MICRO COMPUTER INC.
All rights reserved.

Printed in the United States of America

Preface

About This Manual

This manual is written for system integrators, PC technicians and knowledgeable PC users. It provides information for the installation and use of the SUPER[®] P8SCT motherboard. The P8SCT supports single Intel Pentium[®] 4 Processor (the Prescott Processor) in the 775-Land Grid Array Package (LGA 775) at a system bus speed of 800 MHz. It also supports Intel Celeron Processor at a bus speed of 533MHz. The Pentium 4 Processor in the 775-Land Grid Array Package is housed in a Flip-Chip Land Grid Array (FC-LGA4) package that interfaces with the motherboard via an LGA775 socket. The package consists of a processor core mounted on a substrate land-carrier. An integrated heat spreader (IHS) is attached to the package substrate and core and serves as the contacting surface for processor component thermal solutions, such as a heatsink. Please refer to the motherboard specifications pages on our web site (<http://www.supermicro.com/Products/motherboard>) for updates on supported processors. This product is intended to be professionally installed.

Manual Organization

Chapter 1 includes a checklist of what should be included in your mainboard box, describes the features, specifications and performance of the P8SCT mainboard and provides detailed information about the chipset.

Chapter 2 begins with instructions on handling static-sensitive devices. Read this chapter when installing the processor and DDR2 memory modules and when mounting the mainboard in the chassis. Also refer to this chapter to connect the floppy and hard disk drives, the IDE interfaces, the parallel and serial ports, the mouse and keyboard and the twisted wires for the power supply, the reset button, the keylock/power LED and the speaker.

If you encounter any problems, see **Chapter 3**, which describes troubleshooting procedures for the video, the memory and the setup configuration stored in CMOS. For quick reference, a general FAQ (Frequently Asked Questions) section is provided. Instructions are also included for contacting technical support. In addition, you can visit our web site at www.supermicro.com/techsupport.htm for more detailed information.

Chapter 4 includes an introduction to BIOS and provides detailed information on running the CMOS Setup utility.

Appendix A provides BIOS POST Messages.

Appendix B lists BIOS POST Codes.

Appendix C lists Software Drivers and the OS Installation Instructions.

Table of Contents

Preface

About This Manual	iii
Manual Organization	iii

Chapter 1: Introduction

1-1 Overview	1-1
Checklist	1-1
Contacting Supermicro	1-2
SUPER P8SCT Image	1-3
SUPER P8SCT Layout	1-4
SUPER P8SCT Quick Reference	1-5
The E7221 Chipset: System Block Diagram.....	1-6
Motherboard Features	1-7
1-2 Chipset Overview	1-9
1-3 PC Health Monitoring	1-10
1-4 CPU Thermal Management.....	1-10
1-5 Power Configuration Settings	1-11
1-6 Power Supply	1-12
1-7 Super I/O	1-12

Chapter 2: Installation

2-1 Static-Sensitive Devices	2-1
2-2 Processor and Heatsink Installation	2-2
2-3 Mounting the Motherboard in the Chassis	2-5
2-4 Installing DDR2 Memory	2-6
2-5 I/O Port/Front Control Panel Connector Locations	2-7
2-6 Connecting Cables	2-8
Power Supply Connectors	2-8
PW_ON Connector	2-8
Reset Connector	2-9
Overheat/Fan Fail LED	2-9
NIC1/NIC2 LED Indicators	2-10
IDE/SATA LED	2-10
Power On_LED Connector	2-11
NMI Button	2-11
Serial Ports.....	2-12
Speaker Connector	2-12

	Fan Headers	2-13
	Chassis Intrusion	2-13
	ATX PS/2 Keyboard/Mouse Ports	2-14
	Universal Serial Bus (USB).....	2-14
	Wake-On-Ring	2-15
	Wake-On-LAN	2-15
	VGA Connector	2-16
	Giga-bit LAN Ports	2-16
	SATA LED.....	2-17
	Power LED	2-17
	Keylock.....	2-18
2-7	Jumper Settings	2-19
	Explanation of Jumpers	2-19
	CMOS Clear	2-19
	Keyboard Wake-Up	2-20
	Giga-bit LAN Enable	2-20
	Force Power On Enable.....	2-21
	Watch Dog Enable	2-21
	SMBus to PCI/PCI-X Slots.....	2-22
	PCI-X Slot Speed Select.....	2-22
	CPU Front Side Bus Speed	2-23
	USB Wake-Up	2-23
2-8	Onboard Indicators	2-24
	GLAN LEDs.....	2-24
2-9	Parallel Port, Floppy/Hard Drive and SCSI Connections	2-25
	Parallel Port Connector	2-25
	Floppy Connector	2-26
	IDE Connectors	2-26

Chapter 3: Troubleshooting

3-1	Troubleshooting Procedures	3-1
	Before Power On.....	3-1
	No Power.....	3-1
	No Video	3-1
	Memory Errors.....	3-2
	Losing the System's Setup Configuration	3-2
3-2	Technical Support Procedures	3-2
3-3	Frequently Asked Questions	3-3
3-4	Returning Merchandise for Service	3-5

Chapter 4: BIOS

4-1	Introduction	4-1
4-2	Running Setup	4-2
4-3	Main BIOS Setup	4-2
	Main BIOS Setup Menu	4-3
4-4	Advanced BIOS Setup.....	4-5
	4-4.1 Advanced BIOS Features	4-5
	4-4.2 Advanced Chipset Control	4-6
	4-4.3 I/O Device Configuration.....	4-8
	4-4.4 PnP Configuration.....	4-9
	4-4.5 Hardware Monitors.....	4-11
	4-4.6 Processor & Clock Options.....	4-12
	4-4.7 DMI Event Log	4-13
	4-4.8 Console Redirection.....	4-14
4-5	Security	4-15
4-6	Boot	4-16
4-7	Exit	4-17

Appendices:

Appendix A: BIOS POST Messages	A-1
Appendix B: BIOS POST Codes.....	B-1
Appendix C: Software Installation Instructions.....	C-1

Chapter 1

Introduction

1-1 Overview

Checklist

Congratulations on purchasing your computer motherboard from an acknowledged leader in the industry. Supermicro boards are designed with the utmost attention to detail to provide you with the highest standards in quality and performance.

Please check that the following items have all been included with your motherboard. If anything listed here is damaged or missing, contact your retailer.

All Included in the Retail Box Only

One (1) Supermicro Mainboard

One (1) IDE cable

One (1) 9-pin Serial port DKT Cable

One (1) ATX floppy drive cable w/3 heads

Two (2) SATA cables

One (1) I/O shield

One (1) Supermicro CD containing drivers and utilities

One (1) User's/BIOS Manual

Contacting Supermicro

Headquarters

Address: SuperMicro Computer, Inc.
980 Rock Ave.
San Jose, CA 95131 U.S.A.
Tel: +1 (408) 503-8000
Fax: +1 (408) 503-8008
Email: marketing@supermicro.com (General Information)
support@supermicro.com (Technical Support)
Web Site: www.supermicro.com

Europe

Address: SuperMicro Computer B.V.
Het Sterrenbeeld 28, 5215 ML
's-Hertogenbosch, The Netherlands
Tel: +31 (0) 73-6400390
Fax: +31 (0) 73-6416525
Email: sales@supermicro.nl (General Information)
support@supermicro.nl (Technical Support)
rma@supermicro.nl (Customer Support)

Asia-Pacific

Address: SuperMicro, Taiwan
4F, No. 232-1 Liancheng Road
Chung-Ho 235, Taipei Hsien, Taiwan, R.O.C.
Tel: +886-(2) 8226-3990
Fax: +886-(2) 8226-3991
Web Site: www.supermicro.com.tw

Technical Support:

Email: support@supermicro.com.tw
Tel: 886-2-8226-3990, ext.132 or 139

Figure 1-1. SUPER P8SCT Image

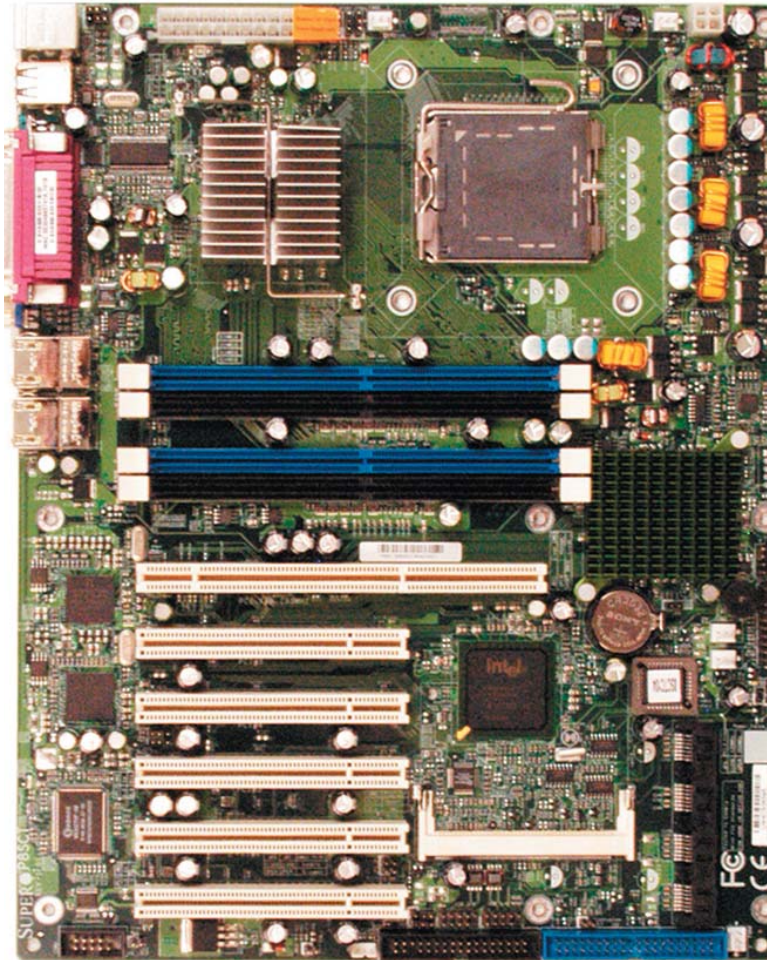
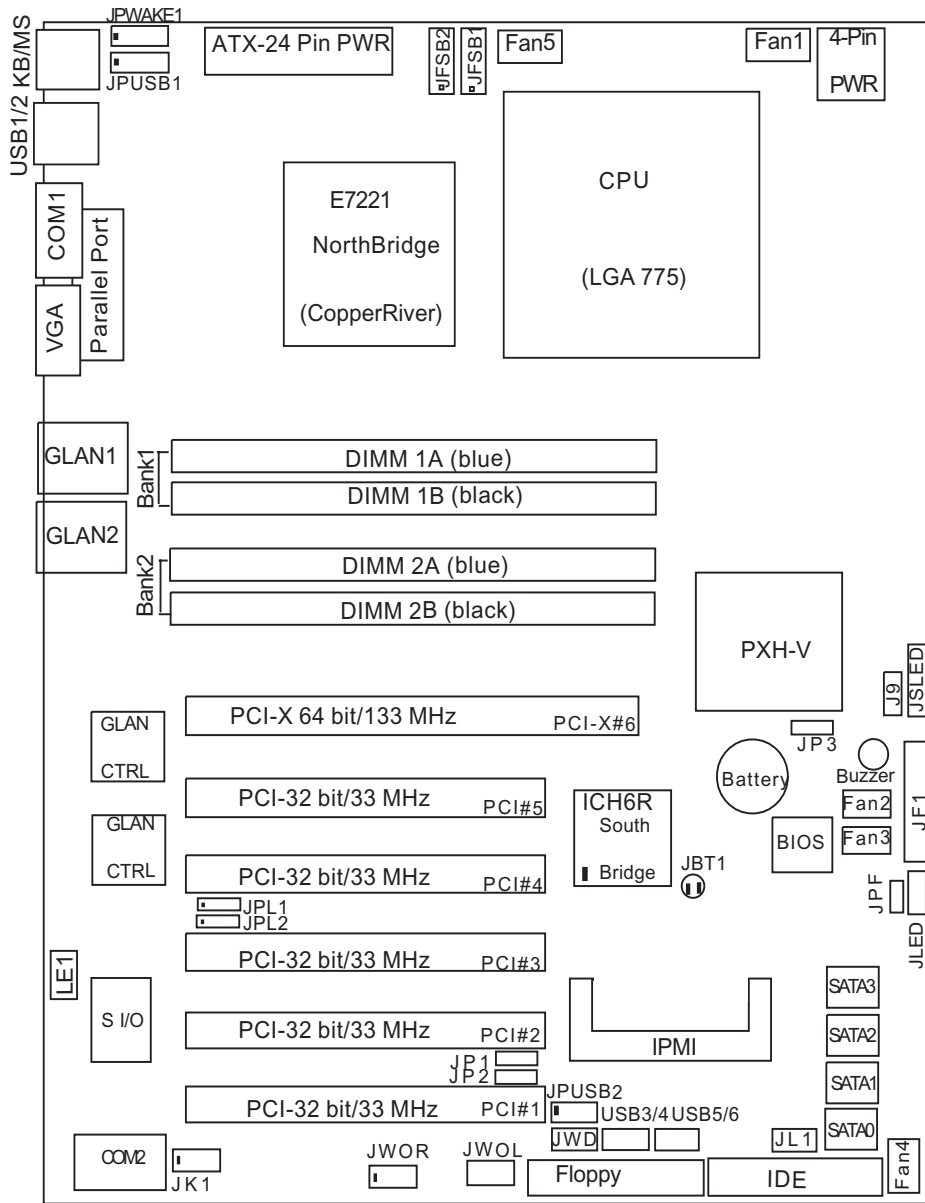


Figure 1-3. Motherboard Layout
(not drawn to scale)



Notes

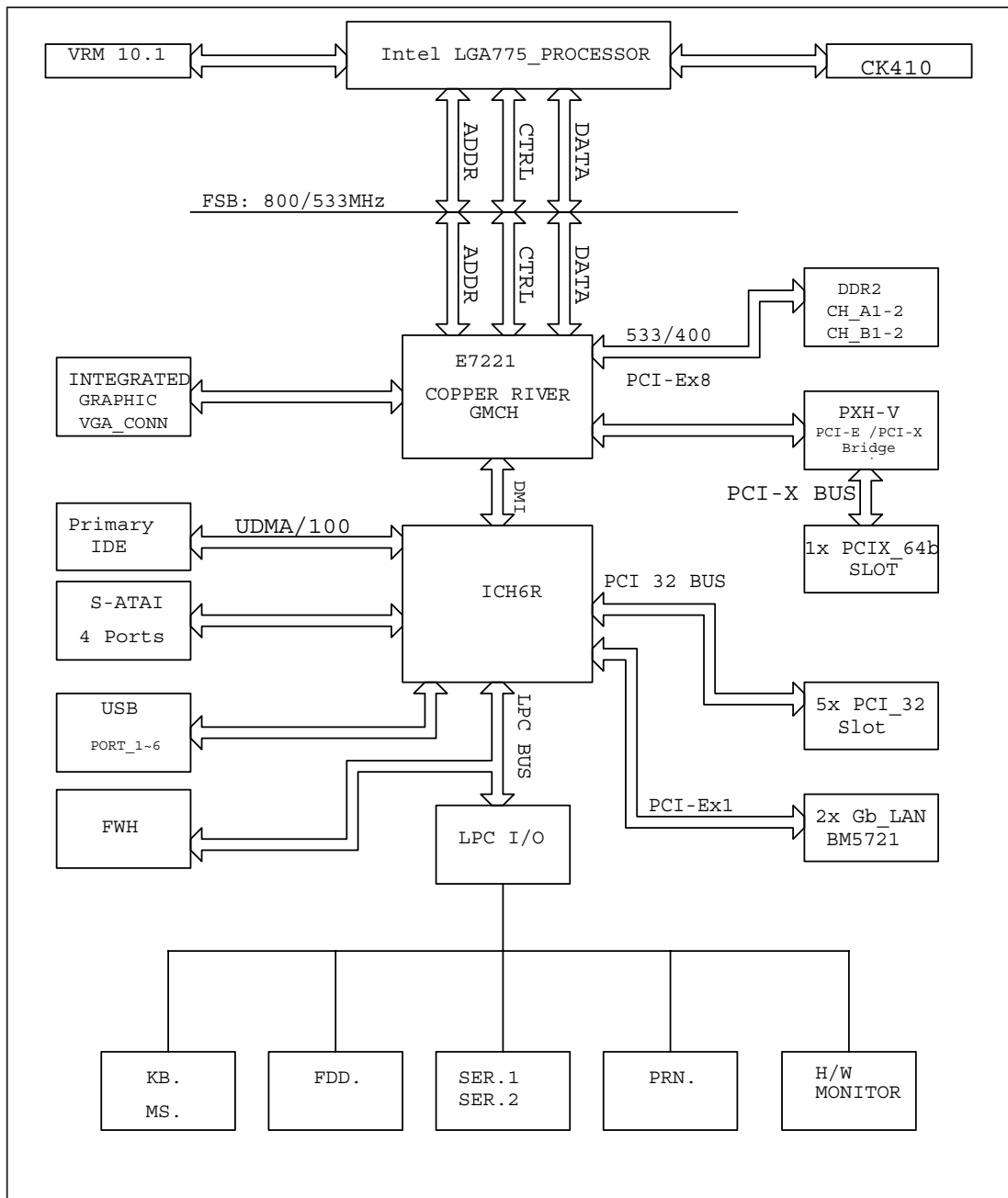
1. See Chapter 2 for detailed information on jumpers, I/O ports and JF1 front panel connections.
2. " ■ " indicates Pin 1.
3. The graphics and drawings shown in this manual were based upon the latest PCB Revision available at the time of publishing of this manual. Your motherboard may or may not look exactly the same as the graphics shown in the manual.

P8SCT Quick Reference

Jumpers	Description	Default Setting
JBT1	CMOS Clear	See Chapter 2
JP1, JP2	SMBus To PCI	Open (Disabled)
JP3	PCI-X Frequency	Close (133MHz)
JPF	Power Force-On	Open (Normal)
JPL1/JPL2	LAN1/LAN2 Enable Pins 1-2	(Enabled)
JFSB1/JFSB2	Front Side Bus Speed	Pins 1-2/Pins 1-2(Auto)
JPUSB1/JPUSB2	*USB Wake-Up Enable (*JPUSB1:USB 1/2, JPUSB2:USB 3/4, 5/6)	Pins 2-3 (Disabled)
JPWAKE1	KB/Mouse Wake-Up	Pins 1-2 (Enabled) JWD
Watch Dog	Pins 1-2 (Reset)	

Connectors	Description
ATX Power (PW1)	24-Pin Power Connector
4-Pin Power (PW2)	4-Pin Power Connector
COM1, COM2	COM Port/Serial Port 1 & Port 2 Connectors
Fans 1-5	Fan5: CPU Fan, Fan1-4: Chassis Fan Headers
DIMM#1A,#1B,#2A,#2B	Memory (DIMM) Slots (1 through 4)
Floppy	Floppy Disk Connector
IDE	IDE Connector
IPMI	IPMI 2.0 Socket
J9	Internal Speaker (Buzzer)
JF1	Front Panel Control
JL1	Chassis Intrusion Header
JK1	Keylock Header
JLED	Power LED Connector
JSLED	SATA LED Connector
JWOL	Wake-On LAN
JWOR	Wake-On-Ring Header
KB/MS(J14)	PS/2 Keyboard/Mouse
LE1	Onboard +5V Standby Warning LED
GLAN1/GLAN2	Giga-bit Ethernet RJ45 (LAN1/LAN2) Connectors
Parallel	Printer Port
PCI slots	One: PCI-X 64bit/133MHz, Five: PCI-32 bit/33 MHz slots
SATA #0-3	4 SATA Headers
USB 1/2	Back Panel Universal Serial Ports1/2
USB 3/4, USB 5/6	Front Panel USB Headers:USB3/4(J10), USB5/6(J7)
VGA	Video/Graphic Connector

(*See Chapter 2 for detailed pin information and jumper settings.)



**Figure 1-3. Intel E7221 Copper River Chipset:
System Block Diagram**

Note: This is a general block diagram and may not exactly represent the features on your motherboard. See the following pages for the actual specifications of each motherboard.

Motherboard Features

CPU ♦ *Latest CPU technology!*

- Single Intel Pentium® 4 and Intel Celeron Processor in the 775-Land Grid Array Package

Front Side Bus ♦

- 800 MHz/533 MHz

Memory ♦ *Latest memory technology!* —

- Dual/Single Channel 240-pin DDR2 533/400 up to 4 GB of ECC/Non ECC, unbuffered DRAM in 4 DIMM modules **Note:** See Section 2-4 for details.
- Two-way interleaved (two DIMMs required)

Chipset ♦ *Latest Intel chipset technology!*

- Intel E7221 (Copper River)

Expansion Slots

- One (1) PCI-X 64bit/133MHz
- Five (5) PCI 32-bit/33MHz slots

BIOS

- 8Mb Firmware Hub AwardBIOS® Flash EEPROM BIOS
- APM 1.2, DMI 2.3, PCI 2.2, ACPI 1.0 (limited), Plug and Play (PnP)
- BIOS resource hot keys, SMBIOS2.3

PC Health Monitoring

- Seven onboard voltage monitors for CPU core, +3.3V, +5V, +5VStandby, VBATT, and ±12V
 - Fan status monitor with firmware/software speed control
 - SuperDoctor III, Watch Dog, NMI
 - Environmental temperature monitoring via BIOS
 - Power-up mode control for recovery from AC power loss
 - System resource alert via Supero Doctor III
 - Auto-switching voltage regulator for the CPU core
-

ACPI Features

- Microsoft OnNow
- Slow blinking LED for suspend state indicator
- BIOS support for USB keyboard
- Main switch override mechanism
- Internal/external modem ring-on

Onboard I/O

- 1 UDMA IDE supporting two drives
- Intel ICH6R SATA Controller 4 connectors for 4 devices
- 1 floppy port interface (up to 2.88 MB)
- 2 Fast UART 16550 compatible serial connectors (1 header, 1 port)
- 2 Broadcom 5721 PCI-E Gigabit Ethernet Controllers
- 1 EPP (Enhanced Parallel Port) and ECP (Extended Capabilities Port) supported parallel port
- PS/2 mouse and PS/2 keyboard ports
- Up to 6 USB (Universal Serial Bus) 2.0 ports for a speed of up to 480Mbps ◆
Latest USB 2.0 technology!
- 1 VGA Connector
- 1 IPMI 2.0 Socket

Other

- Hyper-threading enabled
- Wake-on-Ring (WOR)
- Wake-on-LAN (WOL)
- Multiple CPU clock ratio selections (set in BIOS)
- Onboard +5vsb warning LED ("LE1")

CD Utilities

- BIOS flash upgrade utility
- Chipset drivers

Dimensions

- ATX form factor, 12" x 9.5" (305 x242 mm)

1-2 Chipset Overview

Intel's E7221 (Copper River) chipset, designed for the server market, consists of the following components: the Graphics Memory Controller Hub (GMCH), Intel PCI-X Hub (PXH-V), and Intel I/O Controller Hub (ICH6R). The E7221 (Copper River) chipset provides the performance and feature-set required for the entry level single-processor server solutions.

Graphics Memory Controller Hub (GMCH)

The function of the GMCH is to manage the data flow between five interfaces: Processor/Host interface (FSB), System Memory Interface (DRAM controller), PCI Express Interface, Direct Media Interface (DMI) and PXH-V Interface. The GMCH is optimized for the Prescott processors in an LGA775 Package. It supports one or two channels of unbuffered, ECC/Non ECC DDR2 533/400 SDRAM.

The ACPI component provides the data buffering and interface arbitration required to ensure that system interfaces operate efficiently. The Direct Media Interface (DMI) is a point-to-point interconnect between the Copper River GMCH and the ICH6.

Intel ICH6R System Features

The I/O Controller Hub provides the I/O subsystem with access to the rest of the system. Functions and capabilities include:

- *PCI Express Base Specification, Rev. 1.0a-compliant
- *PCI 2.3
- *ACPI Power Management Logic Support
- *USB host interface
- *Enhanced DMA Controller
- *System Management Bus
- *Low Pin Count (LPC) Interface
- *Firmware Hub (FWH) Interface

Graphics Features/Display

The E7221 Copper River GMCH provides an integrated server-quality onboard graphics.

1-3 PC Health Monitoring

This section describes the PC health monitoring features of the P8SCT. The motherboard has an onboard System Hardware Monitor chip that supports PC health monitoring.

Seven Onboard Voltage Monitors for the CPU Core, +3.3V, +5V, +5V Standby, VBAT, and $\pm 12V$

The onboard voltage monitor will scan these voltages continuously. Once a voltage becomes unstable, it will give a warning or send an error message to the screen. Users can adjust the voltage thresholds to define the sensitivity of the voltage monitor via Supero Doctor III.

Fan Status Monitor with Firmware Speed Control

The PC health monitor can check the RPM status of the cooling fans. The onboard fans are controlled by thermal management via BIOS.

CPU Overheat Control

This feature is available when the user enables the CPU overheat warning function in the BIOS. This allows the user to define an overheat temperature. When the temperature reaches the pre-defined OH temperature or when a fan failure occurs, then, the Overheat warning LED is triggered.

Auto-Switching Voltage Regulator for the CPU Core

The 4-phase-switching voltage regulator for the CPU core can support auto-sense voltage IDs ranging from 0.875 V to 1.6V. This will accommodate different CPUs with different core voltage requirements. It will also allow the regulator to run cooler and thus make the system more stable.

1-4 CPU Thermal Management

Thermal Management 2 (TM2)

When TM2 is enabled in the BIOS and the CPU temperature reaches a pre-defined threshold, a thermal monitoring mechanism will reduce the process speed by lowering the bus-to-core ratio of the processor core clock and decrease the voltage input by changing the CPU VID. This combination of reduced CPU bus frequency and CPU VID effectively decreases CPU power consumption and prevents the processor from overheat, and thus, greatly increases system stability. (*This function is available for the CPUs that support TM2.)

1-5 Power Configuration Settings

This section describes features of your motherboard that deal with power and power settings.

Slow Blinking LED for Suspend-State Indicator

When the CPU goes into a suspend state, the chassis power LED will start blinking to indicate that the CPU is in suspend mode. When the user presses any key, the CPU will wake-up and the LED will automatically stop blinking and remain on.

BIOS Support for USB Keyboard

If the USB keyboard is the only keyboard in the system, it will function like a normal keyboard during system boot-up.

Main Switch Override Mechanism

When an ATX power supply is used, the power button can function as a system suspend button. When the user presses the power button, the system will enter a SoftOff state. The monitor will be suspended and the hard drive will spin down. Pressing the power button again will cause the whole system to wake-up. During the SoftOff state, the ATX power supply provides power to keep the required circuitry in the system alive. In case the system malfunctions and you want to turn off the power, just press and hold the power button for 4 seconds. The power will turn off and no power will be provided to the motherboard.

Wake-On-LAN (WOL)

Wake-On-LAN is defined as the ability of a management application to remotely power up a computer that is powered off. Remote PC setup, up-dates and access tracking can occur after hours and on weekends so that daily LAN traffic is kept to a minimum and users are not interrupted. The motherboard has a 3-pin header (WOL) to connect to the 3-pin header on a Network Interface Card (NIC) that has WOL capability. Wake-On-LAN must be enabled in BIOS. Note that Wake-On-LAN can only be used with an ATX 2.01 (or above) compliant power supply.

Wake-On-Ring (WOR) Header

Wake-up events can be triggered by a device such as the external modem ringing when the system is in the SoftOff state. Note that external modem ring-on can only be used with an ATX 2.01 (or above) compliant power supply.

1-6 Power Supply

As with all computer products, a stable power source is necessary for proper and reliable operation. It is even more important for processors that have high CPU clock rates of 1 GHz and faster.

The SUPER[®] P8SCT accommodates 12V ATX power supplies. Although most power supplies generally meet the specifications required by the CPU, some are inadequate. A 2 amps of current supply on a 5V Standby rail is strongly recommended.

It is strongly recommended that you use a high quality power supply that meets 12V ATX power supply Specification 1.1 or above. Additionally, in areas where noisy power transmission is present, you may choose to install a line filter to shield the computer from noise. It is recommended that you also install a power surge protector to help avoid problems caused by power surges.

1-7 Super I/O

The disk drive adapter functions of the Super I/O chip include a floppy disk drive controller that is compatible with industry standard 82077/765, a data separator, write pre-compensation circuitry, decode logic, data rate selection, a clock generator, drive interface control logic and interrupt and DMA logic. The wide range of functions integrated onto the Super I/O greatly reduces the number of components required for interfacing with floppy disk drives. The Super I/O supports two 360 K, 720 K, 1.2 M, 1.44 M or 2.88 M disk drives and data transfer rates of 250 Kb/s, 500 Kb/s or 1 Mb/s.

It also provides two high-speed, 16550 compatible serial communication ports (UARTs). Each UART includes a 16-byte send/receive FIFO, a programmable baud rate generator, complete modem control capability and a processor interrupt system. Both UARTs provide legacy speed with baud rate of up to 115.2 Kbps as well as an advanced speed with baud rates of 250 K, 500 K, or 1 Mb/s, which support higher speed modems.

The Super I/O provides functions that comply with ACPI (Advanced Configuration and Power Interface), which includes support of legacy and ACPI power management through a SMI or SCI function pin. It also features auto power management to reduce power consumption.

Chapter 2

Installation

2-1 Static-Sensitive Devices

Electric Static Discharge (ESD) can damage electronic components. To prevent damage to your system board, it is important to handle it very carefully. The following measures are generally sufficient to protect your equipment from ESD.

Precautions

- Use a grounded wrist strap designed to prevent static discharge.
- Touch a grounded metal object before removing the board from the antistatic bag.
- Handle the board by its edges only; do not touch its components, peripheral chips, memory modules or gold contacts.
- When handling chips or modules, avoid touching their pins.
- Put the motherboard and peripherals back into their antistatic bags when not in use.
- For grounding purposes, make sure your computer chassis provides excellent conductivity between the power supply, the case, the mounting fasteners and the motherboard.
- Use only the correct type of CMOS onboard battery as specified by the Manufacturer. Do not install the CMOS onboard battery upside down to avoid a possible explosion.

Unpacking

The motherboard is shipped in antistatic packaging to avoid static damage. When unpacking the board, make sure the person handling it is static protected.

Installation Procedures

Follow the procedures as listed below for full installation of the motherboard into a chassis:

1. Install the processor and the heatsink to the motherboard.
2. Install the motherboard in the chassis.
3. Install the memory and add-on cards.
4. Finally, connect the cables and install the drivers.

2-2 LGA775 Processor and Heatsink Installation



When handling the processor package, avoid placing direct pressure on the label area of the fan.

IMPORTANT: Always connect the power cord last and always remove it before adding, removing or changing any hardware components. Make sure that you install the processor into the CPU socket before you install the CPU heatsink.

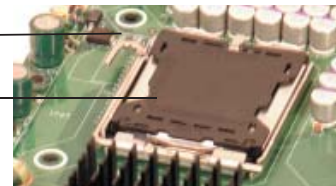
Installation of the LGA775 Processor

1. Press the socket lever to release the load plate that covers the CPU socket from its locking position.

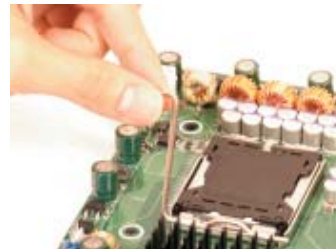
Socket Lever

Load Plate

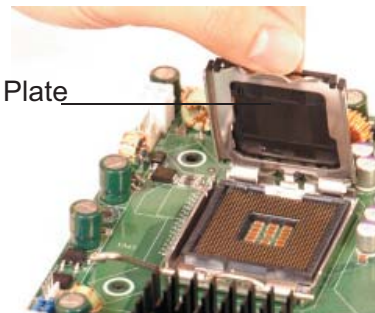
New CPU Socket (w/
plastic cap on)



2. Carefully lift the socket lever up to open the load plate.



Load Plate



3. Locate Pin 1 on the CPU socket. (*Note: Pin 1 is the corner marked with a triangle). Please note that the North Key and the South Key are located vertically in the CPU housing.

4. Position the motherboard in such a way that Pin 1 of the CPU socket is located at the left bottom of the CPU housing.

5. Use your thumb and your index finger to hold the CPU at the North Center Edge and the South Center Edge of the CPU.

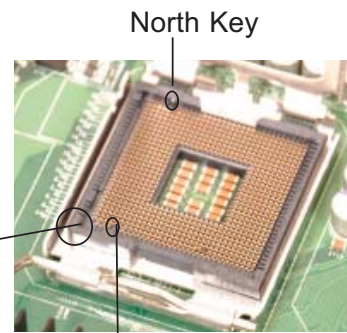
6. Align Pin 1 of the CPU with Pin 1 of the socket. Once aligned, carefully lower the CPU straight down to the socket. (**Do not drop the CPU on the socket. Do not move the CPU horizontally or vertically. Do not rub the CPU against the surface of the socket or against any pins of the socket to avoid damage to the CPU or the socket.)

7. With the CPU inside the socket, inspect the four corners of the CPU to make sure that the CPU is properly installed.

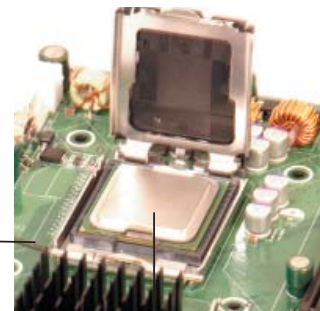
8. Use your thumb to gently press the lever down and lock it in the hook.

9. If the CPU is properly installed into the socket, the plastic cap will be automatically released from the load plate when the lever is pushed into the hook. Remove the plastic cap from the motherboard.

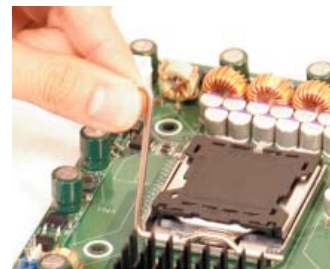
Plastic cap is released from the load plate if the CPU is properly installed.



South Center Edge



CPU in the CPU socket



Installation of the Heatsink

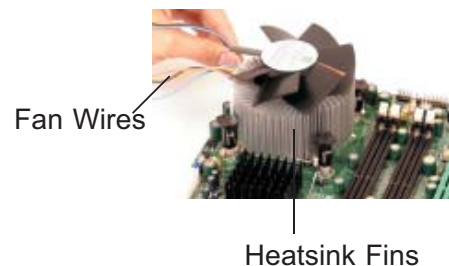
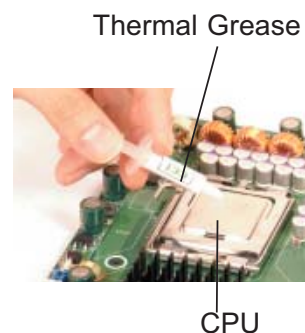
1. Locate the CPU Fan on the motherboard. (Refer to the layout on Page 1-4 for the CPU Fan location.)
2. Position the heatsink in such a way that the heatsink fan wires are closest to the CPU fan and are not interfered with other components
3. Inspect the CPU Fan wires to make sure that the wires are routed through the bottom of the heatsink.
4. Remove the thin layer of the protective film from the copper core of the heatsink.

(*Warning: CPU overheat may occur if the protective film is not removed from the heatsink.)

5. Apply the proper amount of thermal grease on the CPU. (*Note: if your heatsink came with a thermal pad, please ignore this step.)

6. If necessary, rearrange the wires to make sure that the wires are not pinched between the heatsink and the CPU. Also make sure to keep clearance between the fan wires and the fins of the heatsink.

7. Align the four heatsink fasteners with the mounting holes on the motherboard. Gently push the fasteners into the mounting holes until you hear a "click".



8. Repeat Step 6 to insert all four heatsink fasteners into the mounting holes.
9. Once all four fasteners are securely inserted into the mounting holes and the heatsink is properly installed on the motherboard, connect the heatsink fan wires to the CPU Fan connector.

Heatsink Removal

1. Unplug the power cord from the power supply.
2. Disconnect the heatsink fan wires from the CPU fan header.
3. Use your finger tips to gently press on the fastener cap and rotate counterclockwise to make a 1/4 (90°) turn.
4. Repeat Step 3 to loosen all fasteners from the mounting holes.
5. With all fasteners loosened, remove the heatsink from the CPU.



2-3 Mounting the Motherboard in the Chassis

All motherboards have standard mounting holes to fit different types of chassis. Make sure that the locations of all the mounting holes for both the motherboard and the chassis match. Although a chassis may have both plastic and metal mounting fasteners, metal ones are highly recommended because they ground the motherboard to the chassis. Make sure that the metal standoffs click in or are screwed in tightly. Then, use a screwdriver to secure the motherboard onto the motherboard tray. (Note: Some components are very close to the mounting holes. Please take all precautionary measures to prevent damage done to these components when you install the motherboard into the chassis.)

2-4 Installing DDR2 Memory

CAUTION

Exercise extreme care when installing or removing memory modules to prevent any possible damage.

Memory Module Installation (See Figure 2-2)

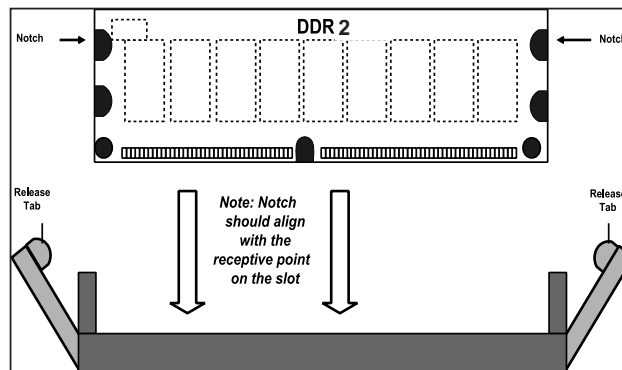
1. Insert each DDR2 memory module vertically into its slot. Pay attention to the notch along the bottom of the module to prevent inserting the module incorrectly. (See support information below.)
2. Gently press down on the memory module until it snaps into place.

Support

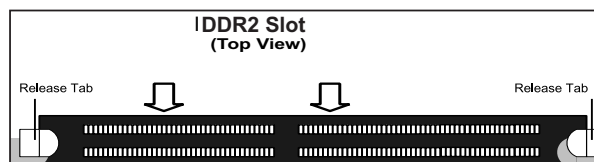
The P8SCT supports Dual/Single channel, ECC/Non ECC, unbuffered DDR2 533/400 SDRAM. Both interleaved and non-interleaved memory are supported, so you may populate any number of DIMM slots. (Populating DIMM#1A, DIMM#2A, and/or DIMM#1B, DIMM#2B with memory modules of the same size and of the same type will result in dual channel, two-way interleaved memory which is faster than single channel, non-interleaved memory.)

Figure 2-2. Side and Top Views of DDR2 Module Installation into Slot

To Install:
Insert module vertically and press down until it snaps into place. Pay attention to the notch.



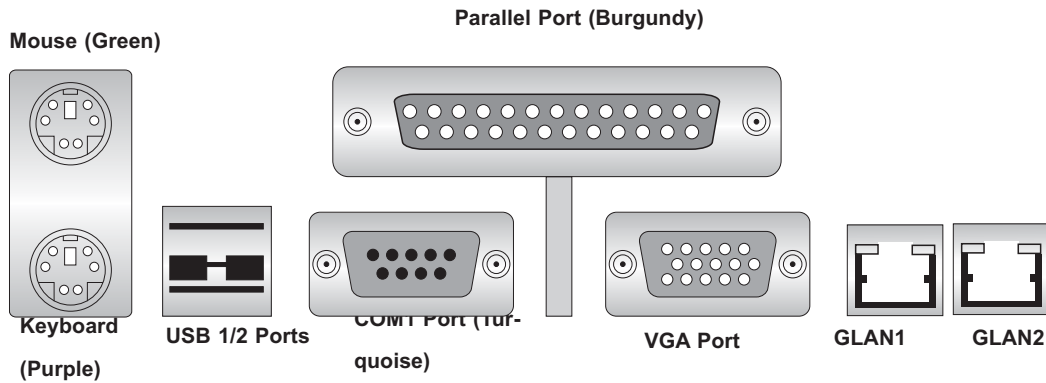
To Remove:
Use your thumbs gently to push each release tab outward to release the DIMM from the slot.



2-5 I/O Port/Control Panel Connector Locations

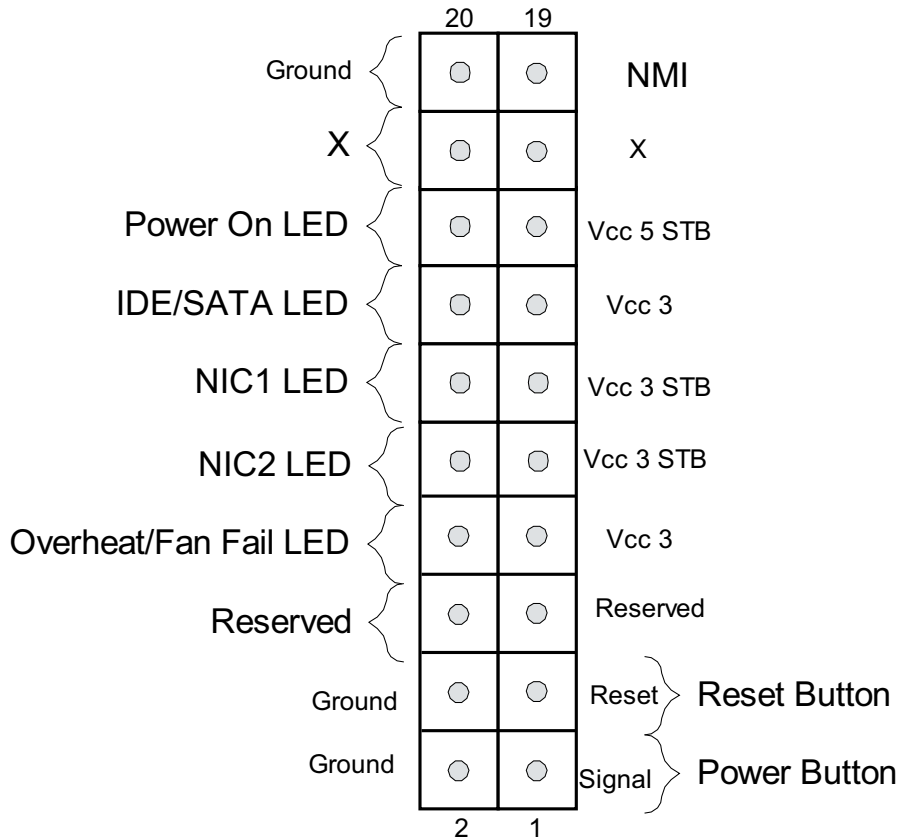
The I/O ports are color coded in conformance with the PC99 specification to make setting up your system easier. See Figure 2-3 below for the colors and locations of the various IO ports.

Figure 2-3. I/O Port Locations and Definitions



Front Control Panel

JF1 contains header pins for various front control panel connectors. See Figure 2-4 for the pin definitions of the various connectors including the speaker. Refer to Section 2-6 for details.



2-6 Connecting Cables

Power Supply Connectors

The primary power supply connector (PW1) on the P8SCT meets the SSI (Superset ATX) 24-pin specification. Refer to the table on the right for the pin definitions of the ATX 24-pin power connector. You must also connect the 4-pin (PW2) processor power connector to your power supply. Refer to the table below right for the PW2 (12V) connector.

**ATX Power Supply 24-pin Connector
Pin Definitions**

Pin Number	Definition	Pin Number	Definition
13	+3.3V	1	+3.3V
14	-12V	2	+3.3V
15	COM	3	COM
16	PS_ON#	4	+5V
17	COM	5	COM
18	COM	6	+5V
19	COM	7	COM
20	Res(NC)	8	PWR_OK
21	+5V	9	5VSB
22	+5V	10	+12V
23	+5V	11	+12V
24	COM	12	+3.3V

+12V 4-pin Connector

Required Connection

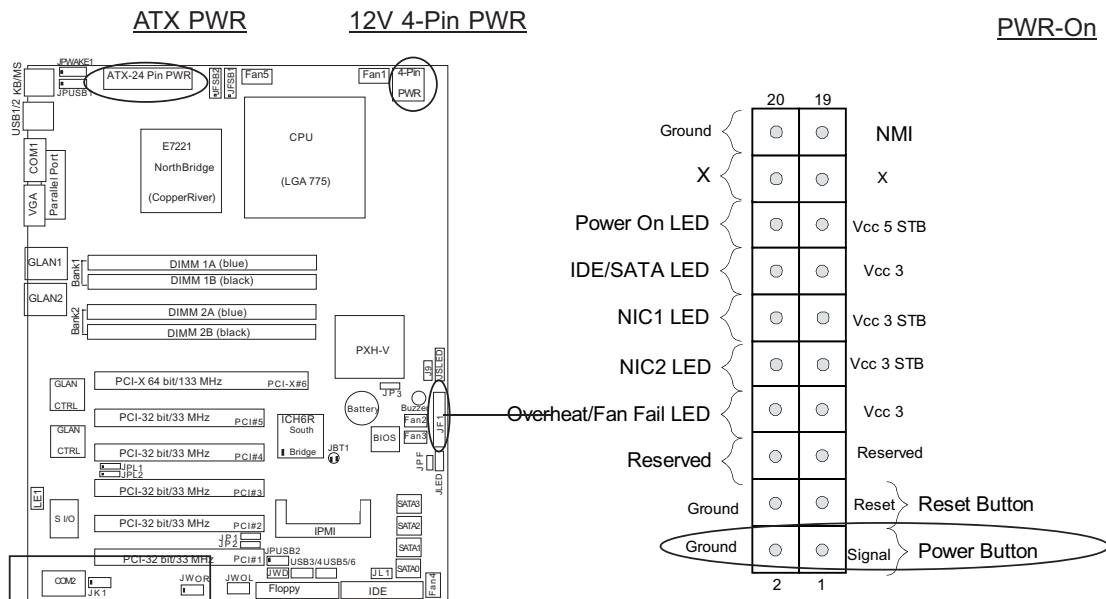
Pins #	Definition
1 & 2	Ground
3 & 4	+12 V

PW_ON Connector

The PW_ON connector is located on pins 1 and 2 of JF1.

**PW_ON
Pin Definitions
(JF1)**

Pin #	Definition
1	Signal
2	GND



Reset Connector

The reset connector is located on pins 3 and 4 of JF1. This connector attaches to the reset switch on the computer chassis. See the table on the right for pin definitions.

Reset Pin Definitions (JF1)

Pin Number	Definition
3	Reset
4	Ground

Overheat/FanFail LED

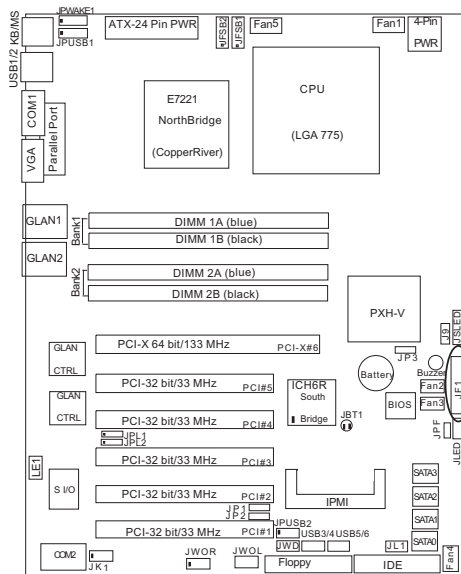
Connect an LED to the OH/Fan Fail connection on pins 7 and 8 of JF1 to provide advanced warnings of chassis overheating or system fan failure. Refer to the table on the right for pin definitions.

OH/Fan Fail LED Pin Definitions (JF1)

Pin Number	Definition
7	Vcc 3
8	GND

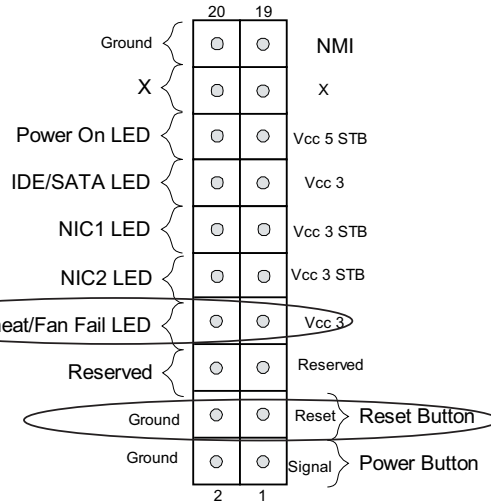
OH/Fan Fail LED (JF1)

State	Message
Off	Normal
Stay On	Overheat
Blink	Fan Fail



OH/Fan Fail LED

Reset



NIC1/NIC2 LED Indicators

The NIC (Network Interface Controller) LED connection for GLAN port1 is located on pins 11 and 12 of JF1 and the LED connection for GLAN Port2 is on Pins 9 and 10. Attach the NIC LED cables to display network activity. Refer to the table on the right for pin definitions.

NIC2 LED Pin Definitions (JF1)

Pin Number	Definition
9	3VSTBY
10	GND

NIC1 LED Pin Definitions (JF1)

Pin Number	Definition
11	3VSTBY
12	GND

***IDE/SATA** (*See the note below)

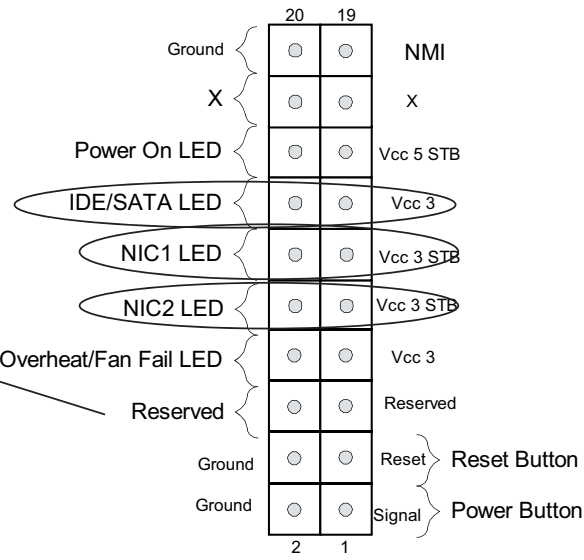
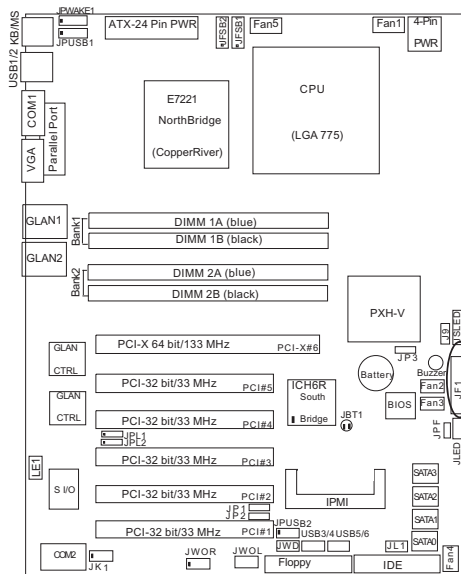
The IDE/SATA LED is located on pins 13, 14 of JF1. This LED connects to the hard drive LED to display all IDE and SATA activities. See the table on the right for pin definitions.

IDE Pin Definitions (JF1)

Pin Number	Definition
13	Vcc3
14	HD Active

(*Note: This LED is for all IDE and SATA devices)

IDE/SATA LED NIC2 LED NIC1 LED



Power On_LED Connector

The Power LED connector is located on pins 15, 16 of JF1. (*Use JLED for a 3-pin connector.) This connection is used to provide LED indication of power being supplied to the system. See the table on the right for pin definitions.

**Power_LED
Pin Definitions (JF1)**

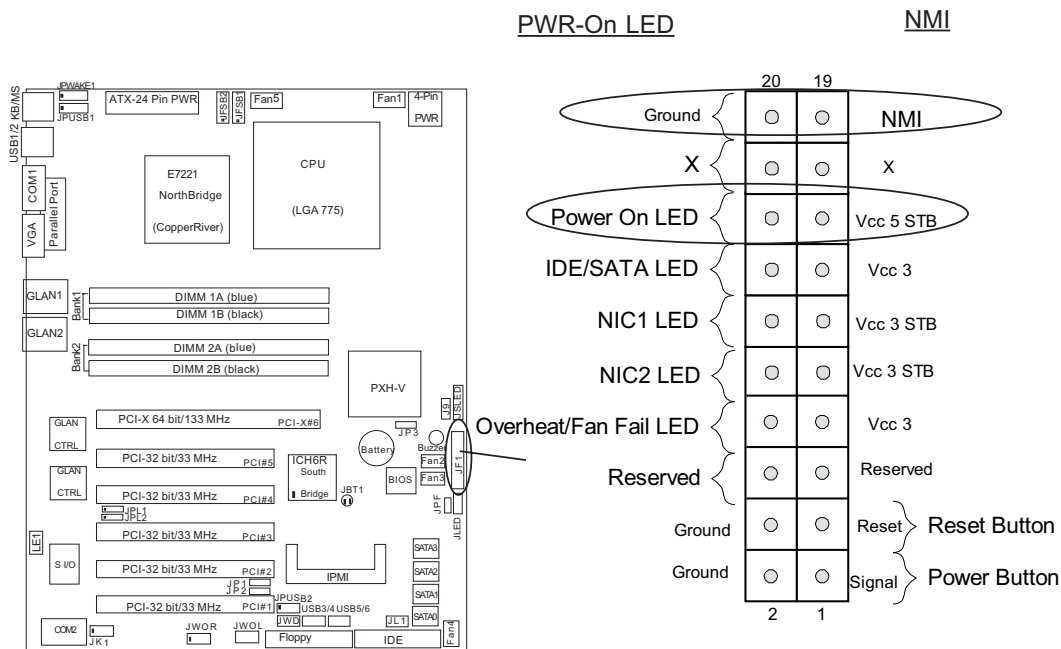
Pin Number	Definition
15	+5VSTBY
16	Ground

NMI Button

The non-maskable interrupt button header is located on pins 19 and 20 of JF1. Refer to the table on the right for pin definitions.

**NMI Button Pin
Definitions (JF1)**

Pin Number	Definition
19	Control
20	Ground



Serial Ports

Two serial ports are included on the motherboard: COM1 is a port located beside the mouse/keyboard ports and COM2 is a header located below PCI#1 slot. See the table on the right for pin definitions.

*NC indicates no connection.

Serial Port Pin Definitions (COM1)

Pin Number	Definition	Pin Number	Definition
1	CD	6	DSR
2	RD	7	RTS
3	TD	8	CTS
4	DTR	9	RI
5	Ground		

Serial Port Pin Definitions (COM2)

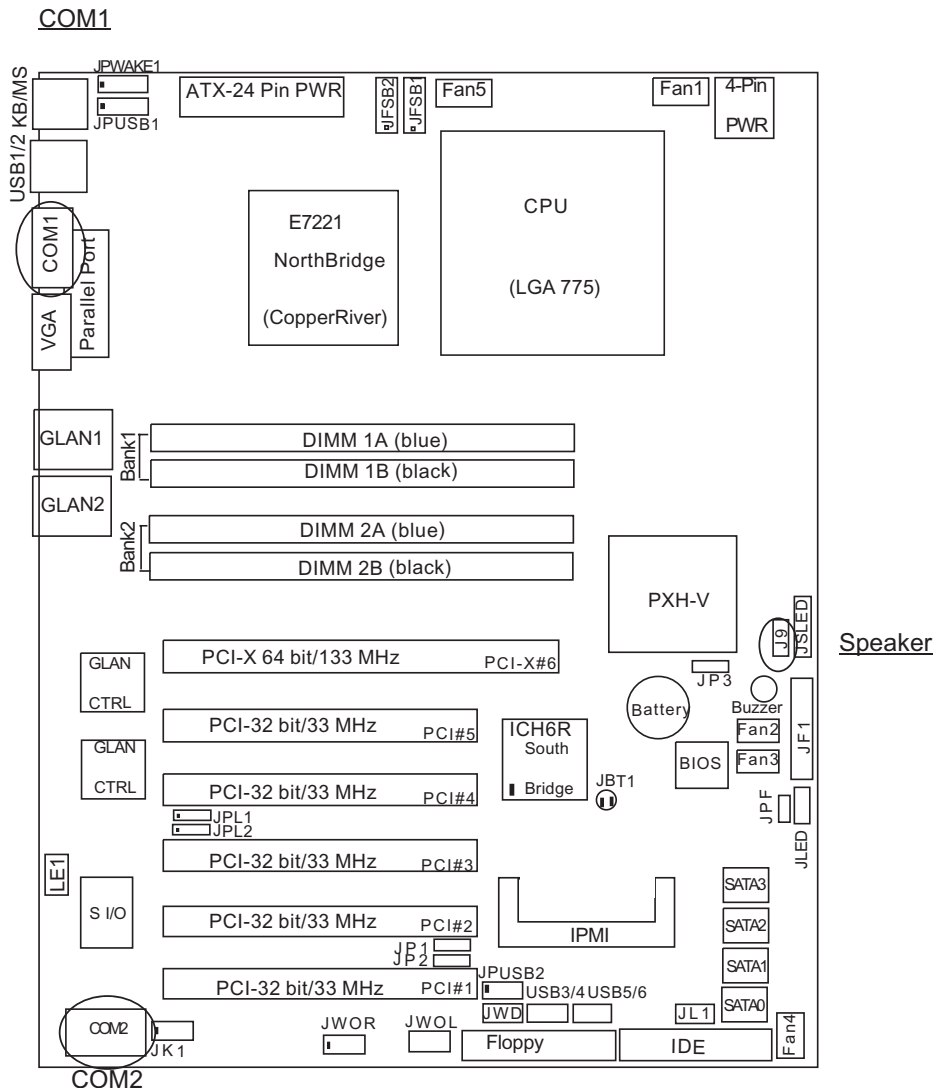
Pin Number	Definition	Pin Number	Definition
1	CD	6	DSR
2	RD	7	RTS
3	TD	8	CTS
4	DTR	9	RI
5	Ground	10	NC

Speaker Connector

The speaker connector is located at J9. See the table on the right for pin definitions.

Speaker: Pin Definition

Function	Pin Definition
Pins 1, 2	External Speaker
Pins 3, 4	Internal Speaker



Fan Headers

There are five fan headers (Fan 1 to Fan5) on the P8SCT. See the table on the right for pin definitions. These fan headers support 3-pin fans. The fan speed is controlled by Thermal Management under the Hardware Monitoring Section in the BIOS.

3-pin Fan Header Pin Definitions

Pin Number	Definition
1	Ground (black)
2	+12V (red)
3	Tachometer

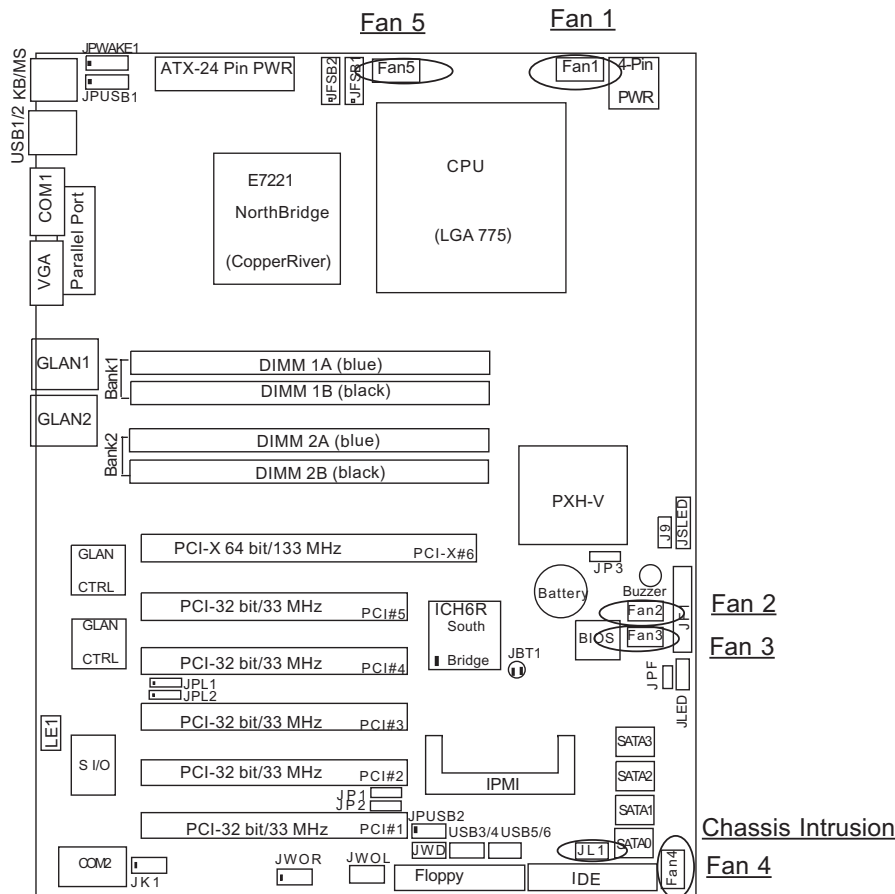
*Caution: Fan headers use DC power.

Chassis Intrusion

The Chassis Intrusion header is located at JL1. See the board layout in Chapter 1 for the location of JL1 and the table on the right for pin definitions.

Chassis Intrusion Pin Definitions (JL1)

Pin Number	Definition
1	Intrusion Input
2	Ground



Wake-On-Ring

The Wake-On-Ring header is located at JWOR. This function allows your computer to be "awakened" by an incoming call when in the suspend state. See the table on the right for pin definitions. You must also have a WOR card and cable to use WOR.

Wake-On-Ring Pin Definitions (JWOR)

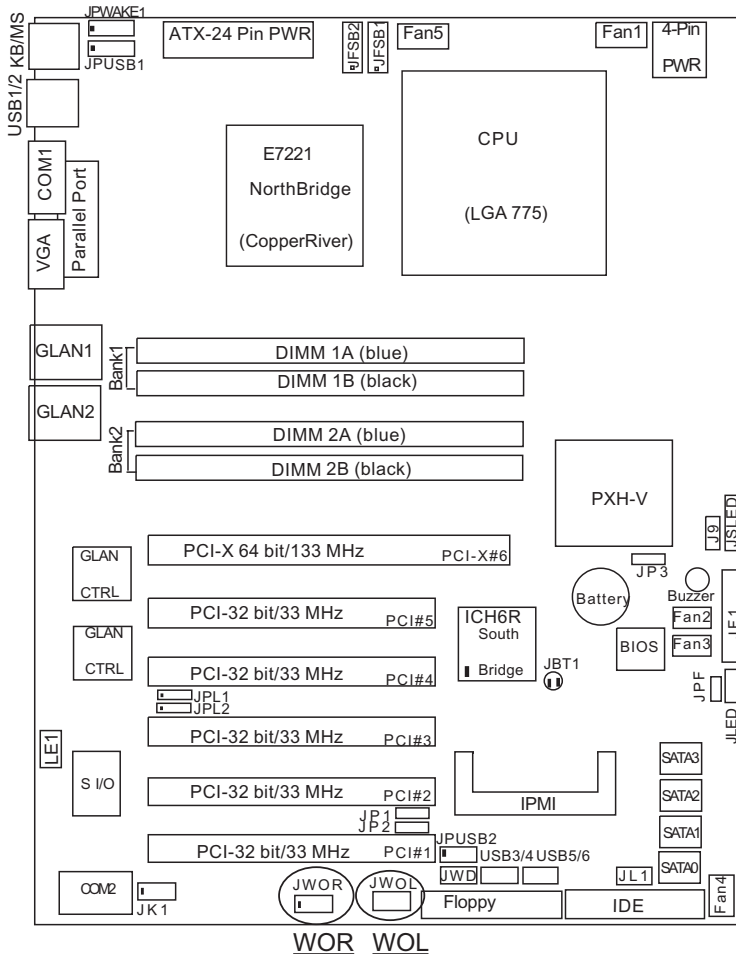
Pin Number	Definition
1	Ground
2	Wake-up

Wake-On-LAN

The Wake-On-LAN header(JWOL) is designated WOL on the motherboard. See the table on the right for pin definitions. You must enable the LAN Wake-Up setting in BIOS to use this function. (You must also have a LAN card with a Wake-On-LAN connector and cable to use this feature.)

Wake-On-LAN Pin Definitions (JWOL)

Pin Number	Definition
1	+5V Standby
2	Ground
3	Wake-up

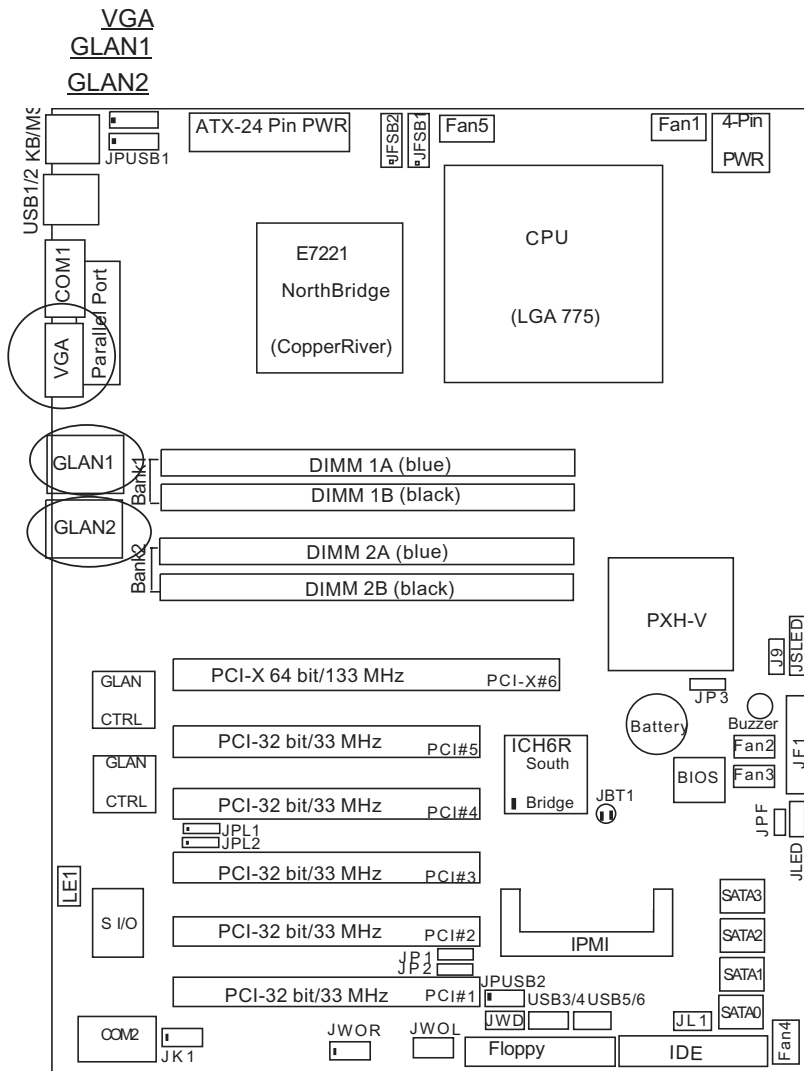


VGA Connector

A VGA connector (JG1) is located next to the COM1 on the IO backplane. Refer to the board layout below for the location.

Giga-bit LAN (Ethernet) Ports

There are two RJ45 Ethernet (Gigabit LAN) ports located on the IO backplane. Refer to the board layout below for the locations.



SATA LED

The SATA LED header is located at JSLED. This header will display all SATA activities. See the table on the right for pin definitions.

SATA LED Pin Definitions (JSLED)

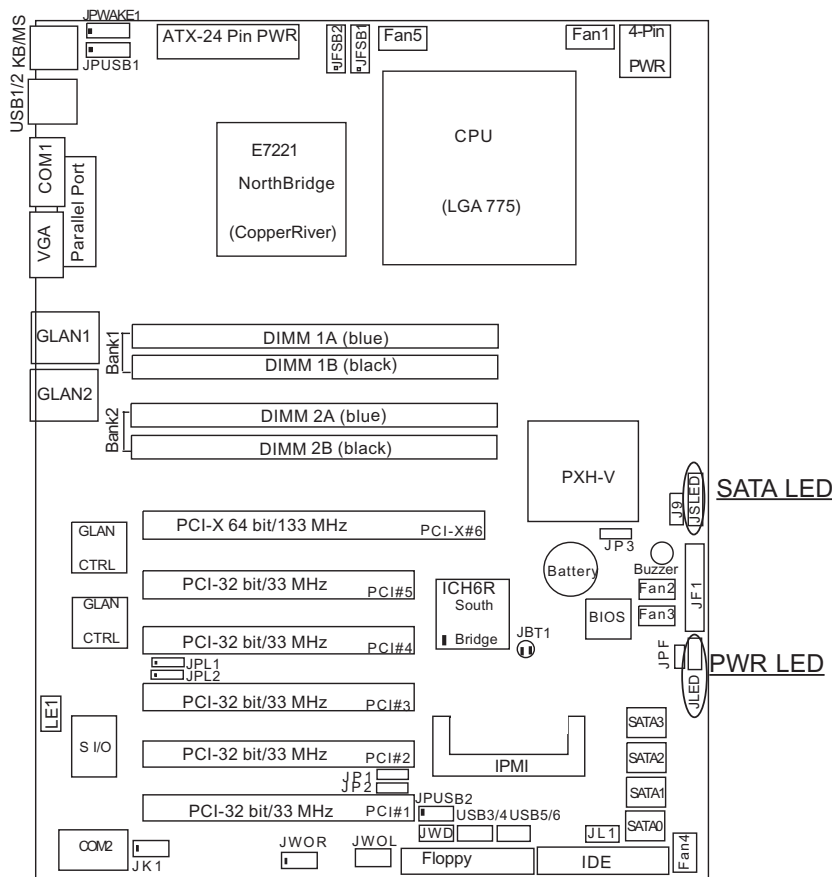
Pin Number	Definition
1	HD Act
2	HD Act
3	HD Act
4	HD Act
5	NC

Power LED

The Power LED header is located at JLED. This header provides LED indication of power being supplied to the system. See the table on the right for pin definitions.

JLED Pin Definitions

Pin Number	Definition
1	Anode
2	Key
3	Cathode

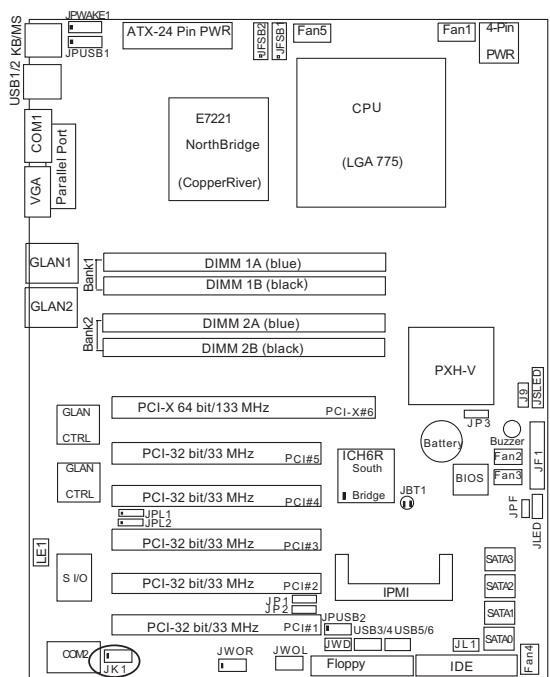


Keylock

The keyboard lock connection is located at JK1. Utilizing this header allows you to inhibit any actions made on the keyboard, effectively "locking" it.

Keylock (JK1)

Jumper Position	Definition
1	Ground
2	Keylock R-N



Keylock

Keyboard Wake-Up

The JPWAKE1 jumper is used together with the Keyboard Wake-Up function in BIOS. Enable both the jumper and the BIOS setting to allow the system to be woken up by pressing a key on the keyboard. See the table on the right for jumper settings. Your power supply must meet ATX specification 2.01 or higher and supply 720 mA of standby power to use this feature.

Keyboard Wake-Up Jumper Settings (JPWAKE1)

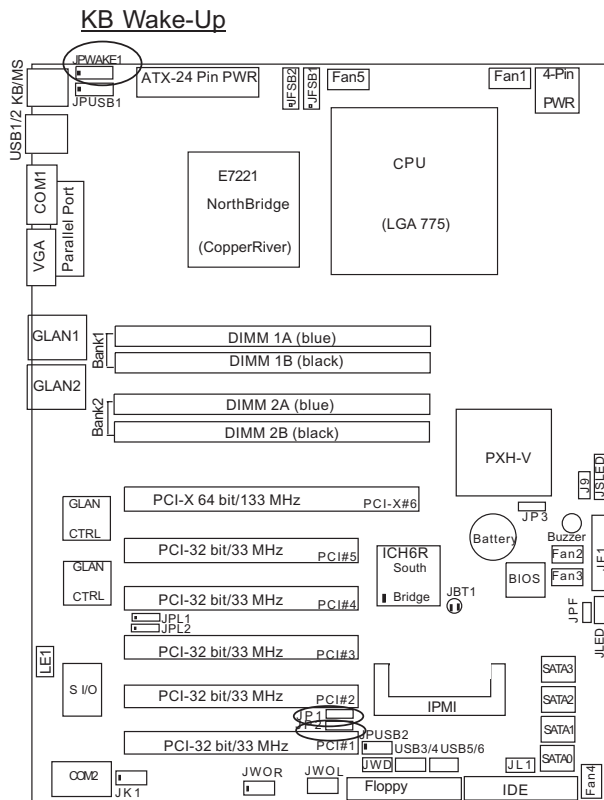
Jumper Position	Definition
1-2	Enabled
2-3	Disabled

Gigabit LAN Enable

There are two Giga-bit Controllers located on the motherboard. Each GLAN Controller can be enabled via a jumper. Close Pins 1 & 2 of JPL1 to enable the function of GLAN Controller 1, and close Pins 1 & 2 of JPL2 to enable the function of GLAN Controller 2. See the table on the right for pin definitions.

GLAN Enable(JPL1, JPL2)

Pin#	Definitions
1-2	Enable
2-3	Disable



**GLAN1 Enable
GLAN2 Enable**

Force-Power-On Enable/Disable

Jumper JPF allows you to enable or disable the function of Force-Power-On. If enabled, the power will always stay on automatically. If this function disabled, the user needs to press the power button to power on the system.

Force Power On (JPF)

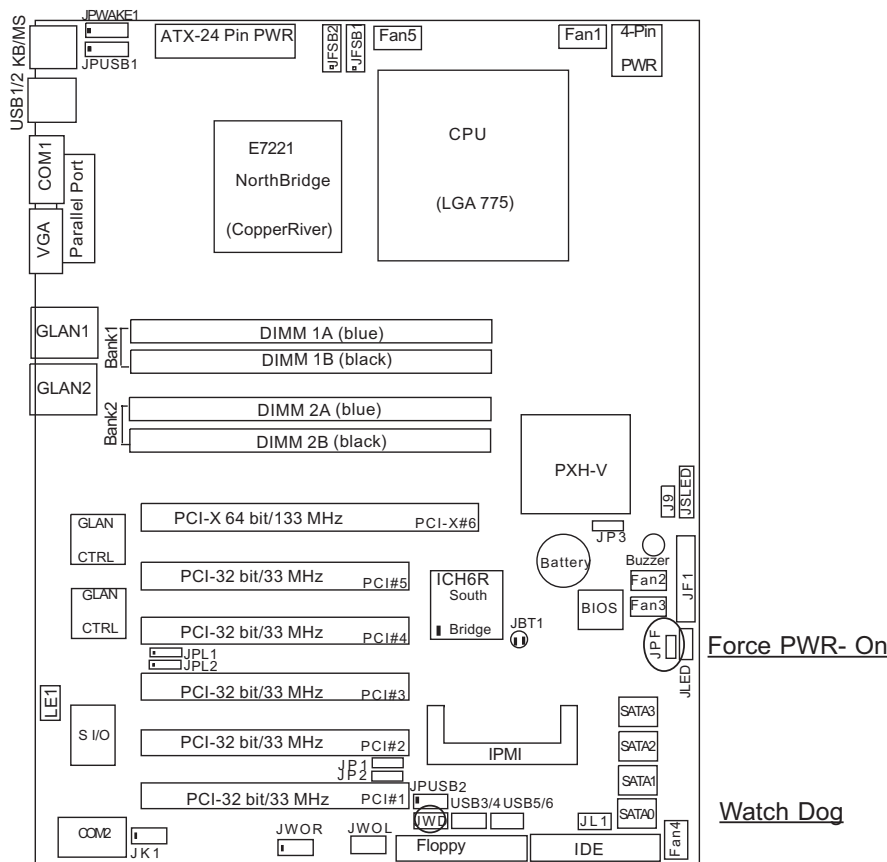
Jumper Position	Definition
Open	Disabled
Closed	Force On

Watch Dog Enable/Disable

Watch Dog is a system monitor that can reboot the system when a software application "hangs". Close Pins 1-2 to reset the system if an application hangs. Close Pins 2-3 to generate a non-maskable interrupt signal for the application hangs. See the table on the right for jumper settings. Watch Dog can also be enabled via BIOS. (*Note, when enabled, the user needs to write his/her own application software in order to disable the Watch Dog Timer.)

Watch Dog Jumper Settings (JWD)

Jumper Position	Definition
Pins 1-2	WD to Reset
Pins 2-3	WD to NMI
Open	Disabled



SMBus to PCI/PCI-X Slots

Jumpers JP1, JP2 allow you to connect PCI/PCI-X slots to the System Management Bus. The default setting is "Open" or disable the connection. See the table on the right for jumper settings.

PCI/PCIX slots to SMB Connection (JP1, JP2)

JP1/JP2	Definition
Closed	Enabled
*Open	Disabled

*Default

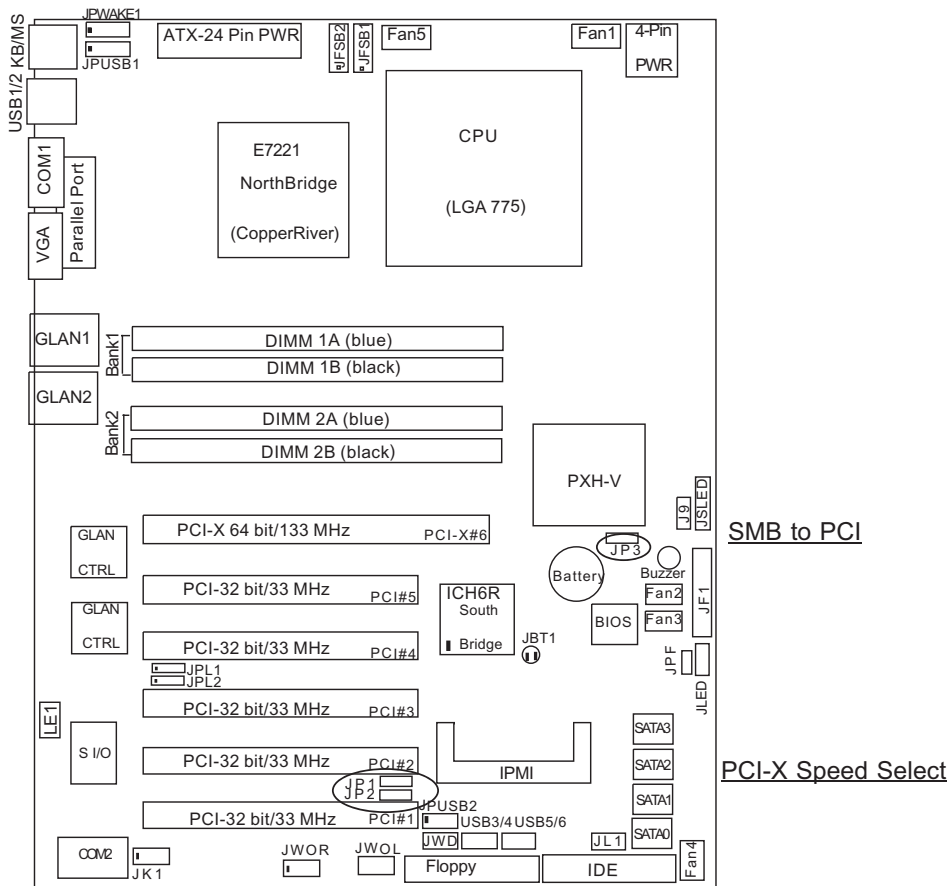
PCI-X Slot Speed Select

JP3 allows you to select the Frequency for the PCI-X slot. The default setting is Closed. (*Please do not change the default setting.) See the table on the right for pin definitions.

PCI-X Slot Speed Select (JP3)

	Definitions
Open	100 MHz
*Closed	133 MHz

*Default



CPU Front Side Bus Speed

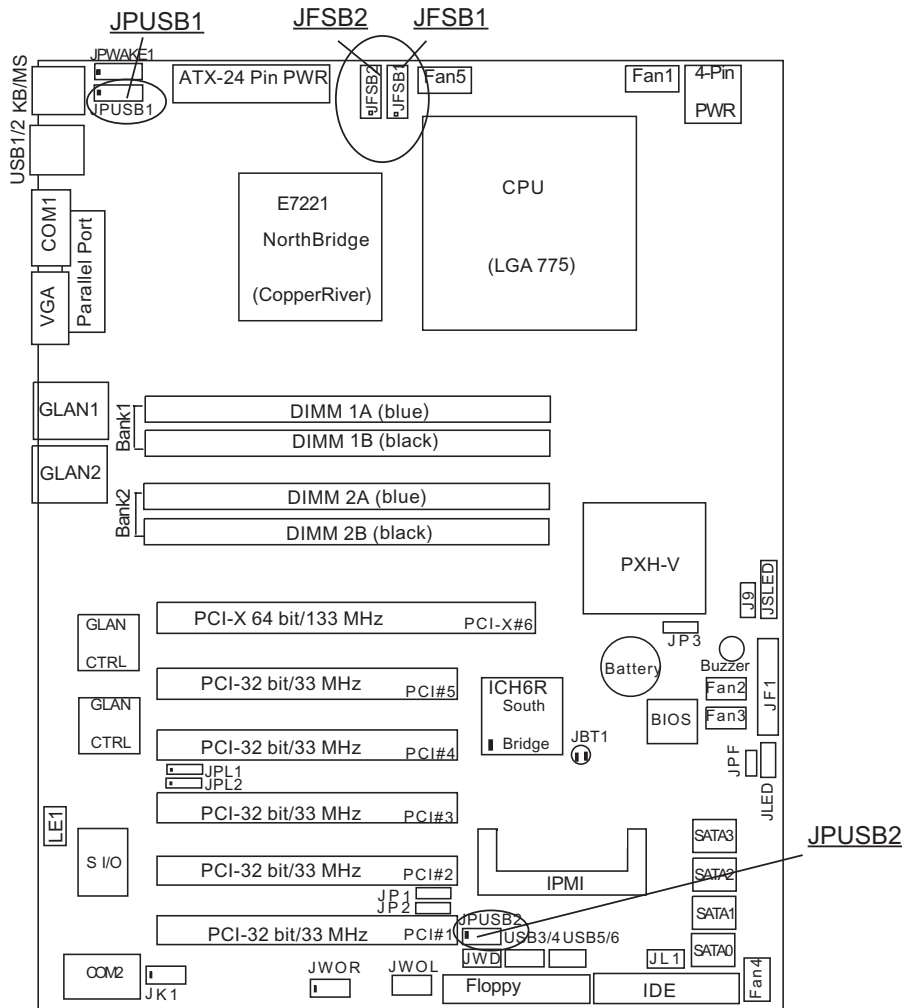
JFSB1 and JFSB2 allow you to set the Front Side Bus Frequency. See the table on the right for pin definitions. (*Default is Auto.)

Front Side Bus Speeds: JFSB1, JFSB2		
JFSB1	JFSB2	Frequency
1-2	1-2	*Auto
2-3	2-3	266 MHz
2-3	Open	200 MHz
Open	Open	166 MHz
Open	2-3	133 MHz

USB Wake-Up

Use JPUSB1/JPUSB2 to enable or disable USB Wake-Up, which allows you to wakeup the system by pressing a key on the keyboard or by clicking the mouse when JPUSB1 is connected to USB1 or USB2 ports or JPUSB2 is connected to any of the USB3/4, USB5/6 ports. These jumpers are used together with the USB Wake-Up function in BIOS. Enable both the jumpers and the BIOS setting to allow the system to be woken up. See the table on the right for jumper settings.

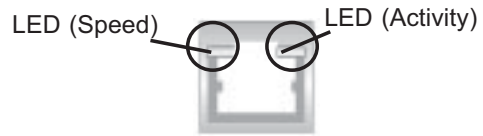
USB Wake-Up Jumper Settings (JPUSB1/JPUSB2)	
Jumper Position	Definition
1-2	Enabled
2-3	Disabled



2-8 Onboard Indicators

GLAN LEDs

There are two Gigabit Ethernet LAN ports on the motherboard. Each GLAN port has two LEDs. The right LED indicates activity while the other LED may be green, amber or off to indicate the speed of the connection. See the table at right for the functions associated with the second LED.



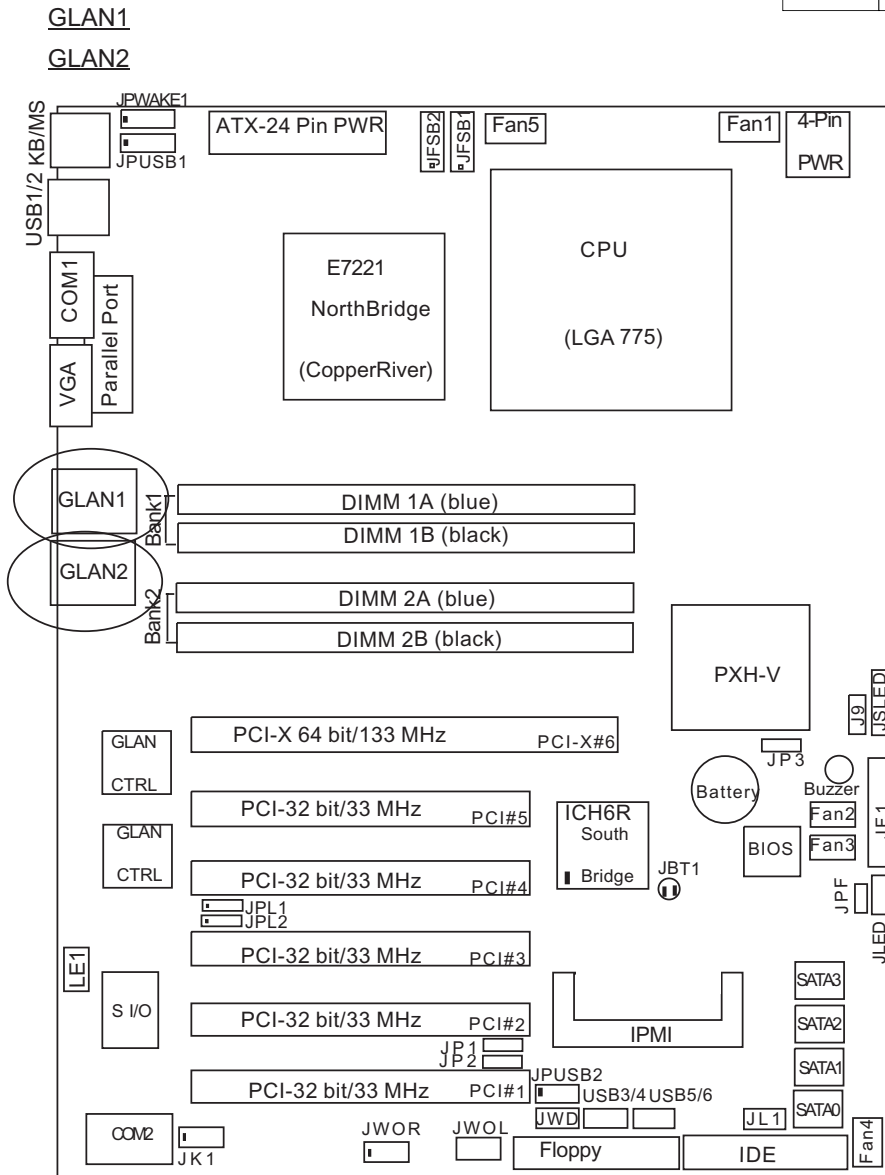
Rear View (When viewing from the rear side of the chassis)

1 Gb LAN Left LED Indicator (Speed LED)

LED Color	Definition
Off	10 MHz
Green	100 MHz
Amber	1 GHz

1 Gb LAN Right LED Indicator (Activity LED)

LED Color	Definition
Amber	Blinking 10/100MHz/1GHz



2-9 Parallel Port, Floppy Drive and Hard Drive

Connections

Use the following information to connect the floppy and hard disk drive cables.

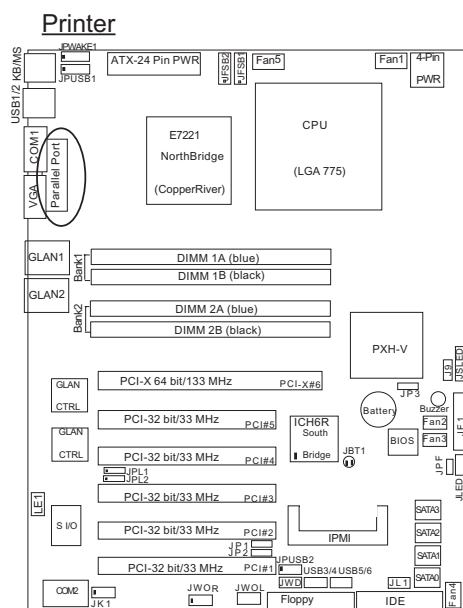
- The floppy disk drive cable has seven twisted wires.
- A red mark on a wire typically designates the location of pin 1.
- A single floppy disk drive ribbon cable has 34 wires and two connectors to provide for two floppy disk drives. The connector with twisted wires always connects to drive A, and the connector that does not have twisted wires always connects to drive B.
- The 80-wire ATA100/66 IDE hard disk drive cable that came with your system has two connectors to support two drives. This special cable should be used to take advantage of the speed this new technology offers. The blue connector connects to the onboard IDE connector interface and the other connector(s) to your hard drive(s). Consult the documentation that came with your disk drive for details on actual jumper locations and settings for the hard disk drive.

Parallel Port Connector

The parallel port is located next to the USB 0/1 Ports. Refer to Figure 2-3 for location. See the table on the right for pin definitions.

Parallel (Printer) Port Pin Definitions

Pin Number	Function	Pin Number	Function
1	Strobe-	2	Auto Feed-
3	Data Bit 0	4	Error-
5	Data Bit 1	6	Init-
7	Data Bit 2	8	SLCT IN-
9	Data Bit 3	10	GND
11	Data Bit 4	12	GND
13	Data Bit 5	14	GND
15	Data Bit 6	16	GND
17	Data Bit 7	18	GND
19	ACK	20	GND
21	BUSY	22	GND
23	PE	24	GND
25	SLCT	26	NC



Floppy Connector

The floppy connector is located between the IDE slot and the IPMI Socket. Refer to Figure 2-3 for location. See the table on the right for pin definitions.

Floppy Connector Pin Definitions (J16)

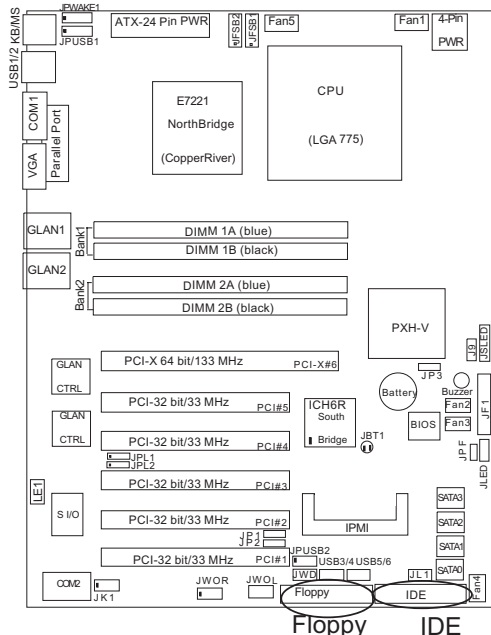
Pin Number	Function	Pin Number	Function
1	GND	2	FDHDIN
3	GND	4	Reserved
5	Key	6	FDEDIN
7	GND	8	Index-
9	GND	10	Motor Enable
11	GND	12	Drive Select B-
13	GND	14	Drive Select A-
15	GND	16	Motor Enable
17	GND	18	DIR-
19	GND	20	STEP-
21	GND	22	Write Data-
23	GND	24	Write Gate-
25	GND	26	Track 00-
27	GND	28	Write Protect-
29	GND	30	Read Data-
31	GND	32	Side 1 Select-
33	GND	34	Diskette

IDE Connector

An IDE drive is located next to the floppy drive. See the table on the left for pin definitions. **Note:** You must use the ATA100/66 cable included with your system to benefit from the ATA100/66 technology.

IDE Connector Pin Definitions

Pin Number	Function	Pin Number	Function
1	Reset IDE	2	GND
3	Host Data 7	4	Host Data 8
5	Host Data 6	6	Host Data 9
7	Host Data 5	8	Host Data 10
9	Host Data 4	10	Host Data 11
11	Host Data 3	12	Host Data 12
13	Host Data 2	14	Host Data 13
15	Host Data 1	16	Host Data 14
17	Host Data 0	18	Host Data 15
19	GND	20	Key
21	DRQ3	22	GND
23	I/O Write-	24	GND
25	I/O Read-	26	GND
27	IOCHRDY	28	BALE
29	DACK3-	30	GND
31	IRQ14	32	IOCS16-
33	Addr 1	34	GND
35	Addr 0	36	Addr 2
37	Chip Select 0	38	Chip Select 1-
39	Activity	40	GND



Chapter 3

Troubleshooting

3-1 Troubleshooting Procedures

Use the following procedures to troubleshoot your system. If you have followed all of the procedures below and still need assistance, refer to the 'Technical Support Procedures' and/or 'Returning Merchandise for Service' section(s) in this chapter. Always disconnect the AC power cord before adding, changing or installing any hardware components.

Before Power On

1. Check that the +5v standby LED is lit (LE1 on motherboard).
2. Make sure that the 4-pin 12v power connector at J2 is connected to your power supply.
3. Make sure that there are no short circuits between the motherboard and chassis.
4. Disconnect all ribbon/wire cables from the motherboard, including those for the keyboard and mouse.
5. Remove all add-on cards.
6. Install a CPU and heatsink (making sure that it is fully seated) and connect the chassis speaker and the power LED to the motherboard. Check all jumper settings as well.
7. Use the correct type of onboard CMOS battery as recommended by the Manufacturer. Do not install the CMOS battery upside down to avoid possible explosion.

No Power

1. Make sure that there are no short circuits between the motherboard and the chassis.
2. Check if all jumpers are set to their default positions.
3. Check that the 115V/230V switch on the power supply is properly set.
4. Turn the power switch on and off to test the system.
5. The battery on your motherboard may be old. Check to verify that it still supplies ~3VDC. If it does not, replace it with a new one.

No Video

1. If the power is on but you have no video, remove all the add-on cards and cables.
2. Use the speaker to determine if any beep codes exist. Refer to Appendix A for details on beep codes.

NOTE

If you are a system integrator, VAR or OEM, a POST diagnostics card is recommended. For I/O port 80h codes, refer to App. B.

Memory Errors

1. Make sure that the DIMM modules are properly and fully installed.
2. You should be using unbuffered DDR2 memory (see next page). Also, it is recommended that you use the same memory speed for all DIMMs in the system. See Section 2-4 for memory limitations.
3. Check for bad DIMM modules or slots by swapping modules between slots and noting the results.
4. Check the power supply voltage 115V/230V switch.

Losing the System's Setup Configuration

1. Make sure that you are using a high quality power supply. A poor quality power supply may cause the system to lose the CMOS setup information. Refer to Section 1-6 for details on recommended power supplies.
2. The battery on your motherboard may be old. Check to verify that it still supplies ~3VDC. If it does not, replace it with a new one.
3. If the above steps do not fix the Setup Configuration problem, contact your vendor for repairs.

3-2 Technical Support Procedures

Before contacting Technical Support, please take the following steps. Also, note that as a motherboard manufacturer, Supermicro does not sell directly to end-users, so it is best to first check with your distributor or reseller for troubleshooting services. They should know of any possible problem(s) with the specific system configuration that was sold to you.

1. Please go through the 'Troubleshooting Procedures' and 'Frequently Asked Question' (FAQ) sections in this chapter or see the FAQs on our web site (<http://www.supermicro.com/support/faqs/>) before contacting Technical Support.
2. BIOS upgrades can be downloaded from our web site at (<http://www.supermicro.com/support/bios/>)
3. If you still cannot resolve the problem, include the following information when contacting Super Micro for technical support:
 - Motherboard model and PCB revision number
 - BIOS release date/version (this can be seen on the initial display when your system first boots up)

- System configuration

An example of a Technical Support form is on our web site at (<http://www.supermicro.com/support/contact.cfm>).

4. Distributors: For immediate assistance, please have your account number ready when placing a call to our technical support department. We can be reached by e-mail at support@supermicro.com or by fax at: (408) 503-8000, option 2.

3-3 Frequently Asked Questions

Question: What type of memory does my motherboard support?

Answer: The P8SCT supports up to 4 GB of ECC/Non-ECC, **unbuffered** DDR2-533/400, two-way interleaved or non-interleaved SDRAM. See Section 2-4 for details on installing memory.

Question: How do I update my BIOS?

Answer: It is recommended that you **do not** upgrade your BIOS if you are experiencing no problems with your system. Updated BIOS files are located on our web site at (<http://www.supermicro.com/support/bios/>). Please check our BIOS warning message and the info on how to update your BIOS on our web site. Also, check the current BIOS revision and make sure it is newer than your BIOS before downloading. Select your motherboard model and download the BIOS file to your computer. Unzip the BIOS files onto a bootable floppy and reboot your system. Follow the Readme.txt to continue flashing the BIOS.



(***Warning:** Do not shut down or reset the system while updating BIOS to prevent possible system boot failure!)

Question: What's on the CD that came with my motherboard?

Answer: The supplied compact disc has quite a few drivers and programs that will greatly enhance your system. We recommend that you review the CD and install the applications you need. Applications on the CD include chipset drivers for Windows and security and audio drivers.

Question: Why can't I turn off the power using the momentary power on/off switch?

Answer: The instant power off function is controlled by the Power Button Mode setting in BIOS. When the On/Off feature is enabled, the motherboard will have instant off capabilities as long as the BIOS has control of the system. When the Standby or Suspend feature is enabled or when the BIOS is not in control such as during memory count (the first screen that appears when the system is turned on), the momentary on/off switch must be held for more than four seconds to shut down the system. This feature is required to implement the ACPI features on the motherboard.

Question: How do I connect the ATA100/66 cable to my IDE device(s)?

Answer: The 80-wire/40-pin high-density ATA100/66 IDE cable that came with your system has two connectors to support two drives. This special cable must be used to take advantage of the speed the ATA100/66 technology offers. **Connect the blue connector to the onboard IDE header and the other connector(s) to your hard drive(s).** Consult the documentation that came with your disk drive for details on actual jumper locations and settings.

Question: After I have installed 4 pieces of 1GB Memory, why does the BIOS only detect about 3.15 GB of memory during POST?

Answer: Because the chipset does not support memory remapping, so there is a memory hole located around the 4GB memory address.

3-4 Returning Merchandise for Service

A receipt or copy of your invoice marked with the date of purchase is required before any warranty service will be rendered. You can obtain service by calling your vendor for a Returned Merchandise Authorization (RMA) number. When returning to the manufacturer, the RMA number should be prominently displayed on the outside of the shipping carton, and mailed prepaid or hand-carried. Shipping and handling charges will be applied for all orders that must be mailed when service is complete.

This warranty only covers normal consumer use and does not cover damages incurred in shipping or from failure due to the alteration, misuse, abuse or improper maintenance of products.

During the warranty period, contact your distributor first for any product problems.

Chapter 4

BIOS

4-1 Introduction

This chapter describes the AwardBIOS for the P8SCT. The Award ROM BIOS is stored in a Flash chip and can be easily upgraded using a floppy disk-based program.

Note: Due to periodic changes to the BIOS, some settings may have been added or deleted and might not yet be recorded in this manual. Refer to the Manual Download area of our web site for any changes to the BIOS that are not reflected in this manual.

System BIOS

The BIOS is the Basic Input Output System used in all IBM® PC, XT™, AT®, and PS/2® compatible computers. The AwardBIOS Flash chip stores the system parameters, such as amount of memory, type of disk drives and video displays, etc. CMOS requires very little power. When the computer is turned off, a back-up battery provides power to the BIOS Flash chip, enabling it to retain the system parameters. Each time the computer is powered-on, the computer is then configured with the values stored in the BIOS ROM by the system BIOS, which gains control when the computer is powered on.

How To Change the Configuration Data

The CMOS information that determines the system parameters may be changed by entering the BIOS Setup utility. This Setup utility can be accessed by pressing at the appropriate time during system boot.

Starting the Setup Utility

Normally, the only visible POST (Power On Self Test) routine is the memory test. As the memory is being tested, press the <Delete> key to enter the main menu of the BIOS Setup utility. From the main menu, you can access the other setup screens, such as the Chipset and Power menus. Section 4-3 gives detailed descriptions of each parameter setting in the Setup utility.

4-2 Running Setup

**Optimal default settings are in bold text unless otherwise noted.*

The BIOS setup options described in this section are selected by choosing the appropriate text from the Main BIOS Setup screen. All displayed text is described in this section, although the screen display is often all you need to understand how to set the options (see the next page).

When you first power on the computer, the AwardBIOS™ is immediately activated.

While the BIOS is in control, the Setup program can be activated in one of two ways:

1. By pressing immediately after turning the system on, or
2. When the following message appears briefly at the bottom of the screen during the POST (Power On Self-Test), press the key to activate the Main Setup Menu.

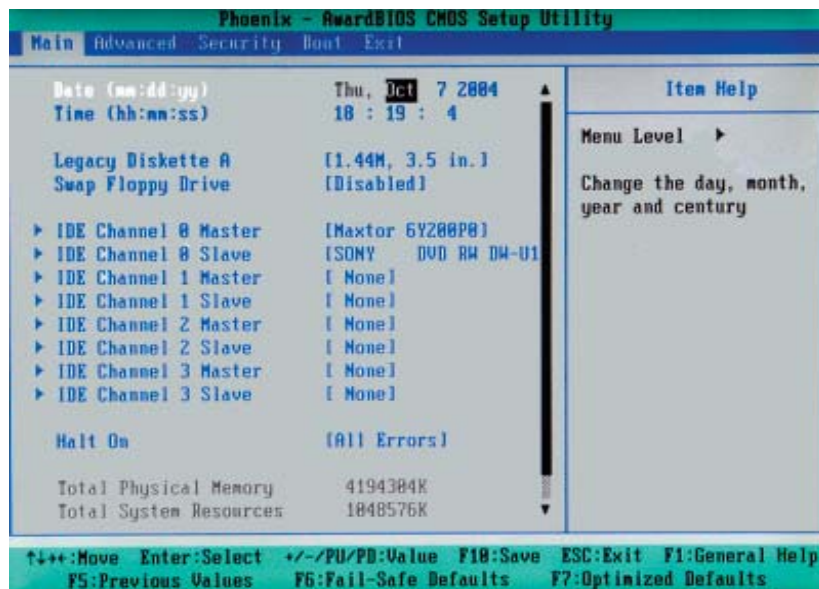
Press DEL to enter SETUP

4-3 Main BIOS Setup

All Main Setup options are described in this section. The Main BIOS Setup screen is displayed below.

Use the <Up> <Down> arrow keys or the <Tab> key to move among the different settings in the above menu.

Press the <Esc> key to exit the CMOS Setup Menu and use the <Left> <Right> arrow keys to enter the other categories of the BIOS settings. The next section is described in detail to illustrate how to navigate through the menus.



Date/Time

This option allows the user to set system date and time. Key in the correct information in the mm, dd and yy format. Press the Enter key to save the data.

Legacy Diskette A/Legacy Diskette B

This setting allows the user to set the type of floppy disk drive installed in diskette A and diskette B. The options are None, 360Kb 5.25 in, 1.2MB 5.25 in, 720Kb 3.5 in, **1.44/1.25MB**, 3.5 in and 2.88MB 3.5 in.

Swap Floppy Drive

If the system has two floppy drives, enable this feature to assign physical drive B to logical drive A or physical drive A to logic drive B. The options are Enabled and **Disabled**.

▶ IDE Channel 0 Master/Slave, IDE Channel 1 Master/Slave, IDE Channel 2 Master/Slave, IDE Channel 3 Master/Slave

These settings allow the user to set the parameters of the IDE Channel 0 Master/Slave to IDE Channel 3 Master/Slave slots. Hit <Enter> to activate the following sub-menu screen for detailed options of these items. Set the correct configurations accordingly. The items included in the submenu are:

Legacy Diskette A

This setting allows the user to set the type of floppy disk drive installed as diskette A. The options are Disabled, 360Kb 5.25 in, 1.2MB 5.25 in, 720Kb 3.5 in, **1.44/1.25MB**, 3.5 in and 2.88MB 3.5 in.

Legacy Diskette B

This setting allows the user to set the type of floppy disk drive installed as diskette B. The options are **Disabled**, 360Kb 5.25 in, 1.2MB 5.25 in, 720Kb 3.5 in, 1.44/1.25MB, 3.5 in and 2.88MB 3.5 in.

IDE HDD Auto-Detection

Select Auto to enable the Auto-Detection function for the devices installed in Channel 0 to IDE Channel 3. The options are None, **Auto** and Manual.

IDE Channel 0 to IDE Channel 3 Master

Press the <Enter> key to activate the 'IDE HDD Auto-Detection function, which will allow the BIOS to automatically detect the status of the IDE HDD installed in the system, such as the size, the number of cylinders, the configurations of items such as Head, Precomp, Landing Zone and Sector. The options are None, **Auto** and Manual.

Access Mode

This item sets the location through which the AwardBIOS accesses the IDE Primary Master Device. The settings are CHS, LBA, Large, and **Auto**.

Halt On

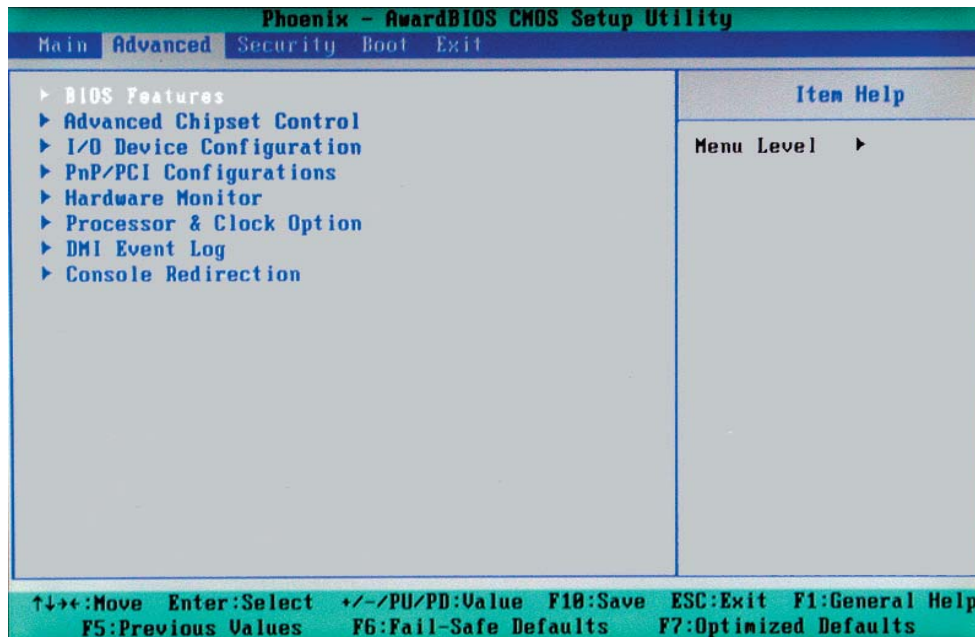
This item allows the user to select the situation in which the BIOS will stop the POST process and notify you about the status of the system. The settings are **All Errors**, No Errors, All, But Keyboard, All, But Diskette, and All, But Disk/Key.

Total Physical Memory/Total System Resources/Total Available Memory

These are displays that inform you how much of each type of memory is recognized as being present in the system.

4-4 Advanced BIOS Setup

Choose the Advanced BIOS Setup from the Award BIOS main menu with the Left/Right arrow keys. You should see the following display. Select one of the items in the left frame of the screen to go to the sub screen for that item. The Advanced BIOS Setup options are displayed by highlighting the option using the arrow keys. All Advanced BIOS Setup options are described in this section.



4-4.1 Advanced BIOS Features

When the item- Advanced BIOS Features is highlighted, press the <Enter> key to activate the submenu below:

Quick Boot

If enabled, this feature allows the system to skip certain tests while booting. This will decrease the time needed to boot the system. The settings are **Enabled** and Disabled.

Quiet Boot

This feature allows the user to enable Quiet Boot. When set to Enabled, the BIOS is in the graphic mode and displays only an OEM Logo during POST while booting. If an error occurs, The system will automatically switch to the text mode. The options are **Enabled** and Disabled.

ACPI Function

Select Enabled to enable BIOS Support for the Advanced Configuration and Power Interface features. The settings are **Enabled** or Disabled.

MPS Version Control

This setting allows you to select the MPS version for your operating system. The options are 1.1 and **1.4**.

Agent After Boot

Set this option to Enabled to keep the Agent of Remote Access running after OS bootup. The options are Enabled and **Disabled**.

PWRON After PWR-Fail

This setting allows the user to determine how the system will respond when power is reapplied after a system shut down caused by power failure. The options are **Off**, On and Former-Sts.

Watch Dog Timer Select

This setting is for enabling the Watch Dog feature. The options are Enabled and **Disabled**. (Please refer to Chapter 2 for more details.)

4-4.2 Advanced Chipset Control

DRAM Data Integrity Mode

If enabled, this feature allows the data stored in the DRMA memory to be integrated for faster data processing. The options are **ECC** and Non-ECC.

On-Chip Frame Buffer Size

This setting allows you to set On-Chip Frame Buffer Size. The options are 1 MB and **8 MB**.

SATA Mode

This feature allows you to select the channel for SATA mode. The options are **IDE**, RAID and AHCI (-Advanced Host Controller Interface).

On-Chip Serial ATA

Select Disabled to disable the SATA Controller. Select Auto to allow the BIOS to configure the SATA Controller automatically. Select Combined Mode to use PATA and SATA Combined Mode. The maximum of 2 IDE drives in each channel is allowed. Select **Enhanced Mode** to enable both SATA and PATA. This mode will support up to 6 IDE drives. Select SATA Only to allow SATA to operate in Legacy Mode.

PATA IDE Mode

When the item -On-chip Serial ATA is set to Combined Mode, the user can select either Primary or Secondary for Parallel ATA IDE. The options are **Primary** and Secondary. If On-chip Serial ATA is set to Enhanced Mode, only Serial ATA will be activated, and Primary PATA IDE will be available. Secondary PATA IDE will not be available.

SATA Port

This setting allows you configure the setting for the SATA port. The options are **P1** and P3 is Secondary.

USB Controller

This setting allows you to enable or disable the USB Controller. The options are **Enabled**, and Disabled.

USB 2.0 Controller

This setting allows you to enable or disable USB 2.0 (EHCI) Controller. The options are **Enabled**, and Disabled.

USB Legacy Support

This setting allows you to enable or disable the functions of USB, Keyboard/Mouse under POST and DOS. The options are **Disabled**, and Enabled.

4-4.3 I/O Device Configuration

Onboard Serial Port1/Onboard Serial Port2

This setting allows the user to set the address and the corresponding IRQ for Serial Port1 or Serial Port 2. The options are Disabled, 3F8/IRQ4, 2F8/IRQ3, 3E8/IRQ4, 2E8/IRQ3, and Auto. The default setting for Serial Port1 is **3F8/IRQ4** and the default for Port 2 is **2F8/IRQ3**.

Onboard Parallel Port

This setting allows the user to set the address and the corresponding IRQ for the onboard parallel port. The options are Disabled, **378/IRQ7**, 278/IRQ5 and 3BC/IRQ7.

Parallel Port Mode

This setting sets the onboard Parallel port mode. The options are **SPP**, EPP, ECP, ECP+EPP and Normal.

EPP Mode Select

This setting allows the user to select the EPP port type. The options are EPP 1.9 and **EPP 1.7**.

ECP Mode Use DMA

This setting allows the user to select the DMA channel for the ECP mode (port) to use. The options are 1 and **3**.

Power On Function

This setting allows the user to decide which method to use to power on the system. The options are Password, Hot Key, Mouse Left, Mouse Right, Any Key, and **Button Only**.

KB Power On Password

This setting allows the user to enter the Password when the system is powered on via keyboard.

Hot Key Power On

This setting allows the user to decide which hot-keys to use in order to power on the system. The options are **Ctrl-F1**, Ctrl-F2, Ctrl-F3, Ctrl-F4, Ctrl-F5, Ctrl-F6, Ctrl-F7, and Ctrl-F8.

4-4.4 PnP/PCI Configuration

Choose PCI/PnP Configurations from the Award BIOS main menu with the Left/Right arrow keys. You should see the following display:

Initial Display From

This feature sets the device that will initiate the monitor display when the system is first turned on. The options are **PCI Slot** and PCI Ex(press).

Reset Configuration Data

Enabling this setting resets the extended system configuration data when you exit setup. Do this when you have installed a new add-on card, and the system reconfiguration has caused a serious conflict that the OS cannot reboot the system. The options are Enabled and **Disabled**. If this feature is set to Enabled, the following item will display:

Resources Controlled By

This setting allows the BIOS to automatically configure all boot and Plug and Play compatible devices. If you choose Auto, you cannot select the IRQ, DMA and memory base address fields, because the BIOS automatically assigns them. The options are **Auto (ESCD)** and Manual.

IRQ Resources

If the above item-Resources Controlled By is set to manual, the user is allowed to assign an IRQ to a PCI Device or Reserve an IRQ for other purpose. The options are: **Auto (ESCD)** and Manual.

IRQ-3,

IRQ-4,

IRQ-5,

IRQ-7,

IRQ-9,

IRQ-10,

IRQ-12,

IRQ-14,

IRQ-15

Onboard LAN Boot ROM

This feature allows the user to determine if the Boot ROMs embedded in the Onboard LAN chips should be activated. If activated, the user can boot the system from the Onboard LAN chips. The options are **Disabled**, LAN1, LAN2 and Both.

Maximum Payload Size

This setting allows the BIOS to set the maximum TLP Payload size for the PCI Express devices in the system. The options are: 128 (bytes), 256 (bytes), 512 (bytes), 1024 (bytes), 2048 (bytes), and **4096 (bytes)**.

► PCI Express Root Port Function

PCI Express Port 1/PCI Express Port 2/PCI Express Port 3/PCI Express Port 4

Select Enabled to enable the PCI Express Root Port Functions for the PCI Express port specified. The options are: Disabled, Enabled, and **Auto**.

PCI-E Compliance Mode

This feature allows the BIOS to set the version of PCI-E Compliance Mode for the system. The options are: **v.1.0a** and v.1.0.

PCI-X Frequency

This feature allows you to set PCI-X Frequency. The options are: Auto, PCI-33 MHz, PCI-66 MHz, PCIX-66 MHz, **PCI-X 100 MHz**, and PCI-X 133 MHz.

4-4.5 Hardware Monitors

There are only three settings on this menu (below). The rest of this menu shows various temperatures and voltage levels as indicated.

Phoenix - AwardBIOS CMOS Setup Utility	
Advanced	
Hardware Monitor	Item Help
CPU Warning Temperature	[75°C/167°F]
CPU Temperature	52°C/125°F
System Temperature	33°C/ 91°F
FAN1 Speed	0 RPM
FAN2 Speed	0 RPM
FAN3 Speed	0 RPM
FAN4 Speed	0 RPM
FAN5 Speed	0 RPM
Processor Vcore(V)	1.39 V
3.3V Vcc(V)	3.37 V
5V Vcc(V)	5.05 V
-12V Vcc(V)	-13.55 V
12V Vcc(V)	12.22 V
5VSB	4.92 V
VBAT	3.20 V
Fan Speed Control	[Disabled]

↑↓:Move Enter:Select +/-/PU/PD:Value F10:Save ESC:Exit F1:General Help
F5:Previous Values F6:Fail-Safe Defaults F7:Optimized Defaults

CPU Warning Temperature

This allows you to set the CPU warning temperature. If the CPU temperature reaches this threshold, an alarm will activate and a warning message will be displayed onscreen. The options are Disabled, 50°C/122°F, 60°C/140°F, 65°C/149°F, 70°C/158°F, **75°C/167°F**, 80°C/176°F and 85°C/185°F. (See the Note Below.)

Highlight this and hit <Enter> to see monitor data for the following items:

CPU Temperature /System Temperature:

In addition to temperature monitoring, the following items will also be displayed:

Fan 1 Speed-Fan 5 Speed

Voltage Monitoring

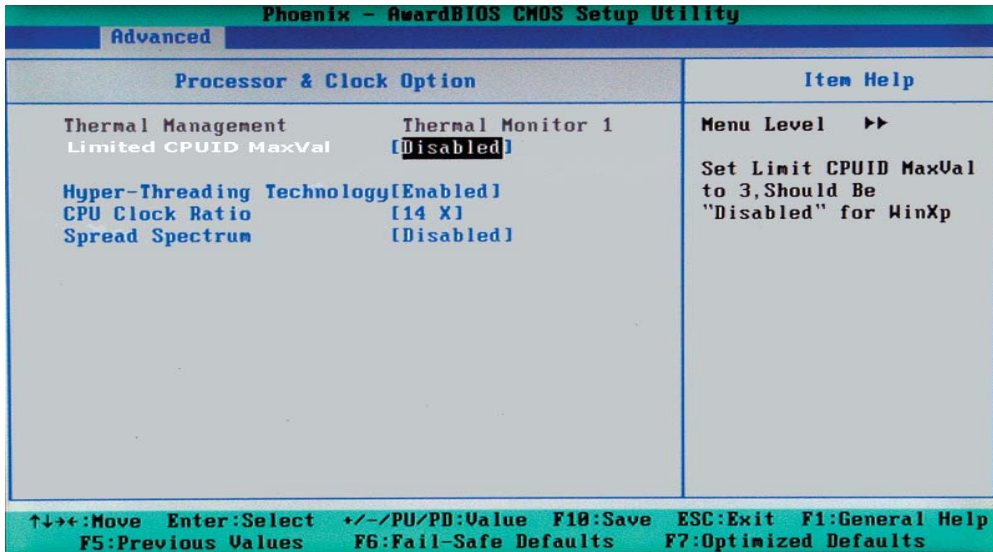
Processor Vcore (V), 3.3V Vcc (V), 5V Vcc (V), -12V Vcc (V), +12V Vcc (V), 5V Standby, VBAT

Fan Speed Control (Fan1-Fan5)

When set to 3-pin (Server), the onboard fan speed is controlled by the CPU temperature. When the CPU temperature is higher, the fan speed will be higher as well. If set to **Disable**, the onboard fan will constantly run at full speed (12V).

***Note:** In the Windows OS environment, the Supero Doctor III settings take precedence over the BIOS settings. When first installed, Supero Doctor III adopts the temperature threshold settings previously set in the BIOS. Any subsequent changes to these thresholds must be made within Supero Doctor, since the SD III settings override the BIOS settings. For the Windows OS to adopt the BIOS temperature threshold settings, please change the SDIII settings to be the same as those set in the BIOS.

4-4.6 Processor & Clock Options



Thermal Management

This setting allows the user to select thermal management for the system. The options are **Thermal Monitor 1** (On die throttling) and Thermal Monitor 2 (Ratio & VID transition). (See Section 1-4 for details.)

Limit CPUID MaxVal

Select Enabled to set CUPID maximum value to 3. Select Disabled for the Windows XP OS. The options are Enabled and **Disabled**.

Hyper-Threading (Available when supported by the CPU installed on the motherboard)

Select Enabled to activate the hyper-threading function. Enabling the hyper-threading function to enhance CPU performance. The settings are Disabled and **Enabled**.

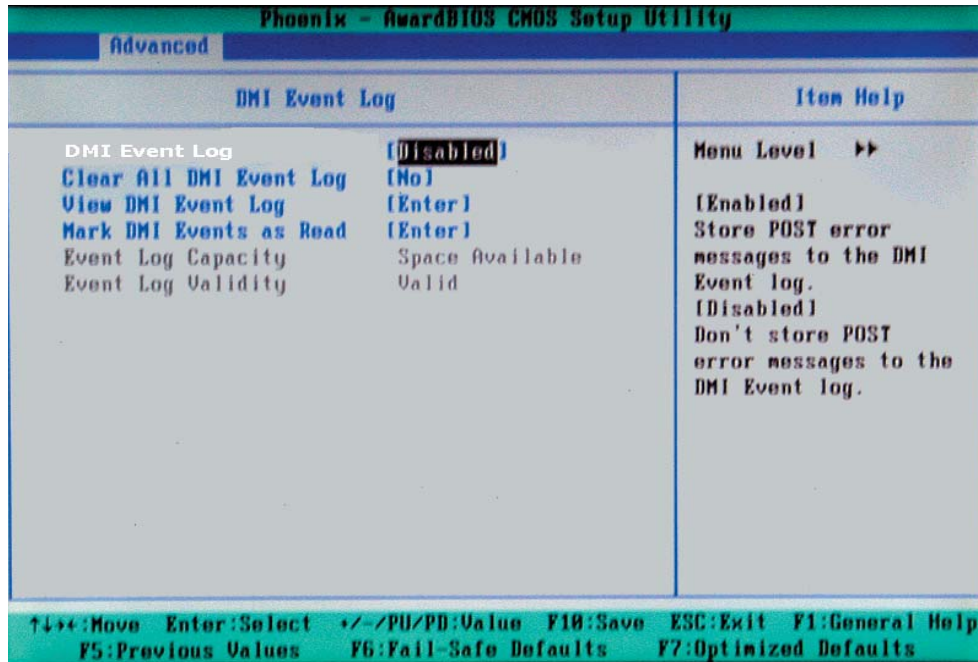
CPU Clock Ration

Use this option to set the clock ratio of the processor. Use number keys to enter a number. The default setting is **14**.

Spread Spectrum

Spread Spectrum is a technique used to stabilize a system by reducing the level of ElectroMagnetic Interference. The options are Enabled and **Disabled**.

4-4.7 DMI Event Log



DMI Event Log

This setting allows you to Enable or Disable the function of DMI Event Logging. The options are **Disabled** and Enabled.

Clear All DMI Event Logs

Select Yes and press <Enter> to clear all DMI event logs. The default setting is **Yes**.

View DMI Event Log

Highlight this item and press <Enter> to view the contents of the event log.

Mark DMI Events as Read

Highlight this item and press <Enter> to mark the DMI events as read.

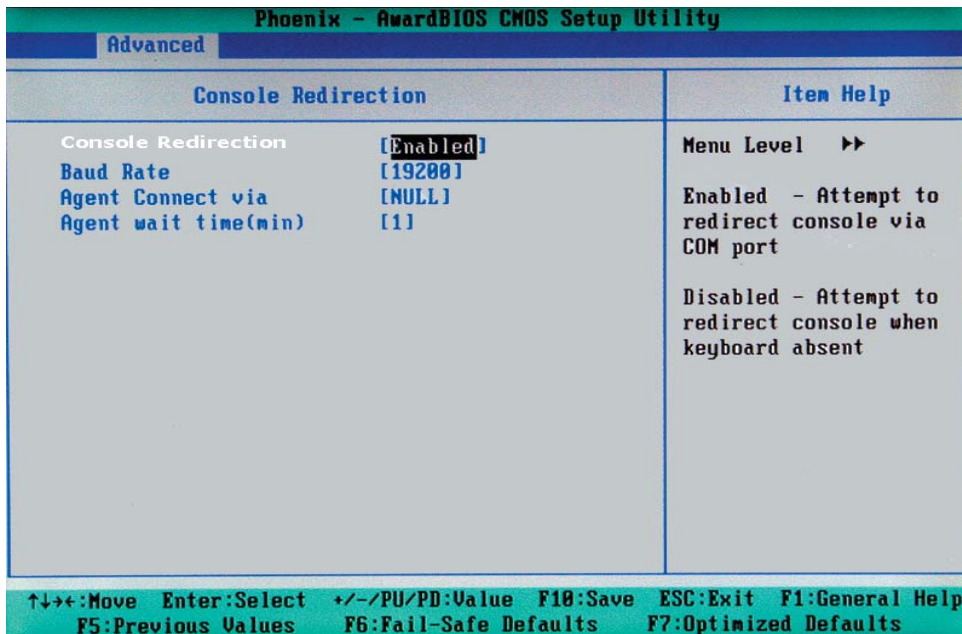
Event Log Capacity

This is a display to inform you of the event log capacity. It is not a setting.

Event Log Validity

This is a display to inform you of the event log validity. It is not a setting.

4-4.8 Console Redirection



Console Redirection

This setting allows you to Enable or Disable the function of Console Redirection. The options are **Disabled** and Enabled.

BAUD Rate

This option allows you to select the BAUD rate for the console redirection. The options are 300, 1200, 2400, 9600, **19.2K**, 38.4K, 57.6K and 115.2K [-bits per second].

Agent Connect Via

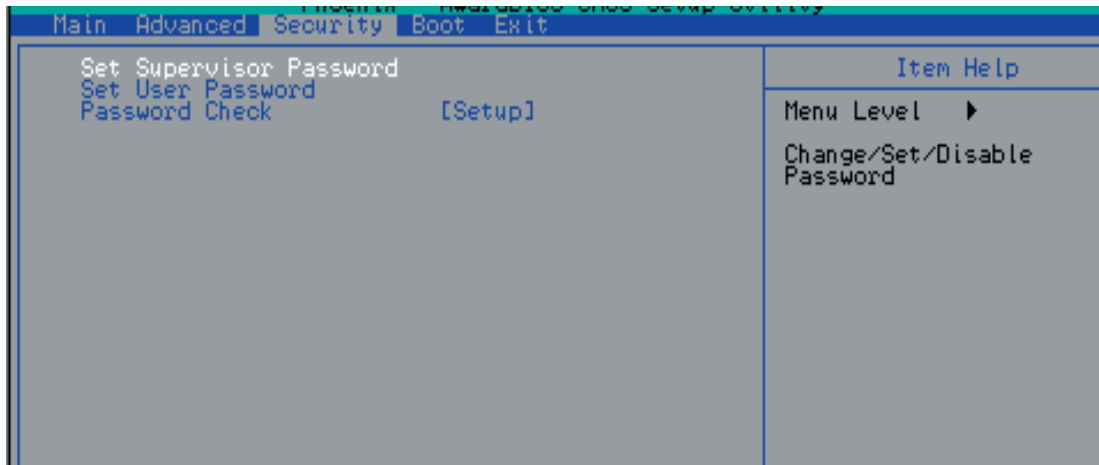
This setting allows you to select the device to be used for the console redirection.

Agent Wait Time (Min)

This setting allows you to set the wait time for the console redirection. The options are **1 (Min)**, 2 (Min), 4 (Min), and 8 (Min).

4-5 Security

Choose Security from the Award BIOS main menu with the Left/Right arrow keys. You should see the following display:



Set Supervisor Password

When the item Set Supervisor Password is highlighted, press the <Enter> key. When prompted, type the Supervisor Password in the dialogue box to set or to change the Supervisor Password.

Set User Password

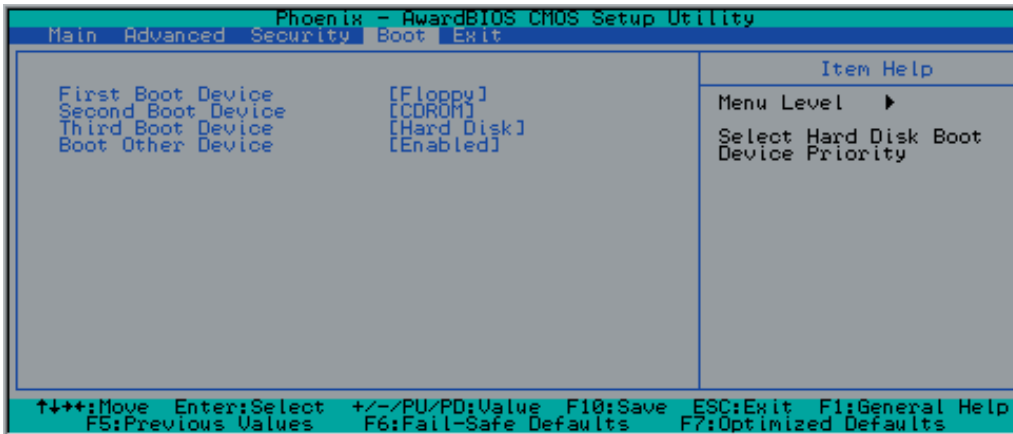
When the item: Set User Password is highlighted on the above screen, press the <Enter> key. When prompted, type the User Password in the dialogue box to set or to change the User Password.

Password Check

If set to System, a password is required for a user to enter the system at system boot. If set to Setup, a password is required for the user to enter the CMOS setup. The options are System and **Setup**.

4-6 Boot

Choose Boot from the Award BIOS main menu by using the Left/Right arrow keys. You should see the following display:



The Award BIOS attempts to load the operating system from devices specified by the users in a user-specified sequence.

First Boot Device

This item allows the user to select the first boot device. The options are **Floppy**, LS120, HDD, CDROM, ZIP100, USB-FDD, USB-ZIP, USB-CDROM, USB-HDD, LAN and Disabled.

Second Boot Device

This item allows the user to set the second boot device. The options are Floppy, LS120, HDD, **CDROM**, ZIP100, USB-FDD, USB-ZIP, USB-CDROM, USB-HDD, LAN and Disabled.

Third Boot Device

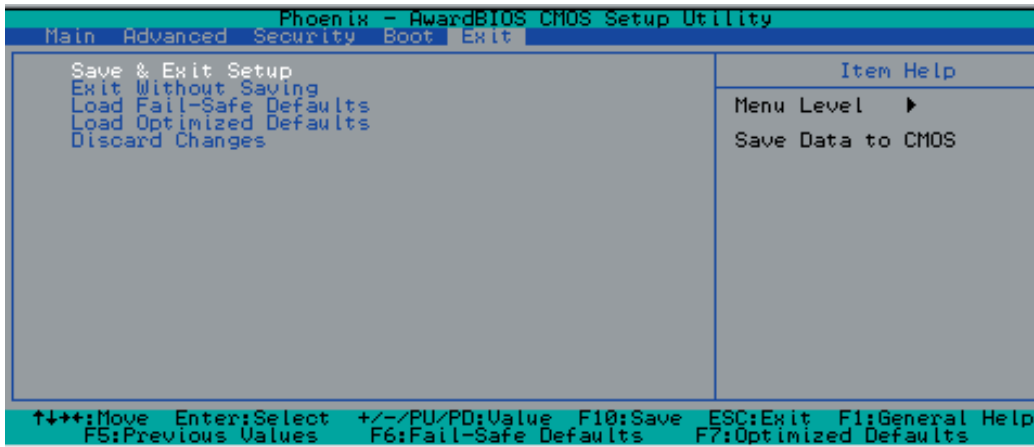
This item allows the user to set the third boot device. The options are Floppy, LS120, **HDD**, SCSI, CDROM, ZIP100, USB-FDD, USB-ZIP, USB-CDROM, USB-HDD, LAN and Disabled.

Boot Other Device

If enabled, this option enables the BIOS to load the OS from another device rather than the ones that have been specified as the first, second and third boot up devices. The settings are **Enabled** and Disabled.

4-7 Exit

Choose Exit from the Award BIOS main menu with the Left/Right arrow keys. You should see the following display:



Save & Exit Setup

When the item-Save & Exit Setup is highlighted, press <Enter> to save the changes you've made in the BIOS program (CMOS) and exit. Your system should, then, continue with the boot-up procedure.

Exit without Saving

When the item-Exit without Saving is highlighted, press <Enter> to exit the Setup routine without saving any changes you may have made. Your system should then continue with the boot-up procedure.

Load Fail-Safe Defaults

Highlight this item and hit <Enter> to load the default settings for all items in the BIOS Setup. These are the safest settings to use.

Load Optimized Defaults

Highlight this item and hit <Enter> to load the optimized settings for all items in the BIOS Setup. These settings provide you with optimal system performance.

Discard Changes

When the item- Discard Changes is highlighted, press <Enter> to discard any changes you made to the BIOS settings and to stay in the BIOS Setup. Your system should then continue with the boot-up procedure.

Notes

Appendix A

BIOS POST Messages

During the Power-On Self-Test (POST), the BIOS will check for problems. If a problem is found, the BIOS will activate an alarm or display a message. The following is a list of such BIOS messages.

<u>Beeps</u>	<u>Error Messages</u>
1 short beep	System Normal
1 long beep+2 short beeps	VGA Errors
1 long beep+9 short beeps	ROM Errors
Repetitive pattern of beep+pause	Memory errors
Overheat LED is On with beeping	Overheat

Notes

Appendix B BIOS POST Codes

This section lists the POST (Power On Self Testing) Codes for the Award BIOS.

POST (hex)	Description
CFh	Test CMOS R/W functionality.
C0h	Early chipset initialization: -Disable shadow RAM -Disable L2 cache (socket 7 or below) -Program basic chipset registers
C1h	Detect memory -Auto-detection of DRAM size, type and ECC. -Auto-detection of L2 cache (socket 7 or below)
C3h	Expand compressed BIOS code to DRAM
C5h	Call chipset hook to copy BIOS back to E000 & F000 shadow RAM.
0h1	Expand the Xgroup codes locating in physical address 1000:0
02h	Reserved
03h	Initial Superio Early Init switch.
04h	Reserved
05h	1. Blank out screen 2. Clear CMOS error flag
06h	Reserved
07h	1. Clear 8042 interface 2. Initialize 8042 self-test
08h	1. Test special keyboard controller for Winbond 977 series Super I/O chips. 2. Enable keyboard interface.
09h	Reserved
0Ah	<ul style="list-style-type: none"> ● Disable PS/2 mouse interface (optional). ● Auto detect ports for keyboard & mouse followed by a port & interface swap (optional). ● Reset keyboard for Winbond 977 series Super I/O chips.
0Bh	Reserved
0Ch	Reserved
0Dh	Reserved
0Eh	Test F000h segment shadow to see whether it is R/W-able or not. If test fails, keep beeping the speaker.

POST (hex)	Description
0Fh	Reserved
10h	Auto detect flash type to load appropriate flash R/W codes into the run time area in F000 for ESCD & DMI support.
11h	Reserved
12h	Use walking 1's algorithm to check out interface in CMOS circuitry. Also set real-time clock power status, and then check for override.
13h	Reserved
14h	Program chipset default values into chipset. Chipset default values are MODBINable by OEM customers.
15h	Reserved
16h	Initial Early Init Onboard Generator switch.
17h	Reserved
18h	Detect CPU information including brand, SMI type (Cyrix or Intel) and CPU level (586 or 686).
19h	Reserved
1Ah	Reserved
1Bh	Initial interrupts vector table. If no special specified, all H/W interrupts are directed to SPURIOUS_INT_HDLR & S/W interrupts to SPURIOUS_soft_HDLR.
1Ch	Reserved
1Dh	Initial EARLY PM INIT switch.
1Eh	Reserved
1Fh	Load keyboard matrix (notebook platform)
20h	Reserved
21h	HPM initialization (notebook platform)
22h	Reserved
23h	<ol style="list-style-type: none"> 1. Check validity of RTC value: e.g. a value of 5Ah is an invalid value for RTC minute. 2. Load CMOS settings into BIOS stack. If CMOS checksum fails, use default value instead. 3. Prepare BIOS resource map for PCI & PnP use. If ESCD is valid, take into consideration of the ESCD's legacy information. 4. Onboard clock generator initialization. Disable respective clock resource to empty PCI & DIMM slots. 5. Early PCI initialization: <ul style="list-style-type: none"> -Enumerate PCI bus number -Assign memory & I/O resource -Search for a valid VGA device & VGA BIOS, and put it into C000:0.
24h	Reserved
25h	Reserved
26h	Reserved
27h	Initialize INT 09 buffer
28h	Reserved
29h	<ul style="list-style-type: none"> ● Program CPU internal MTRR (P6 & PII) for 0-640K memory address. ● Initialize the APIC for Pentium class CPU. ● Program early chipset according to CMOS setup. Example: onboard IDE controller. ● Measure CPU speed. ● Invoke video BIOS.
2Ah	Reserved
2Bh	Reserved
2Ch	Reserved

POST (hex)	Description
2Dh	1. Initialize multi-language 2. Put information on screen display, including Award title, CPU type, CPU speed
2Eh	Reserved
2Fh	Reserved
30h	Reserved
31h	Reserved
32h	Reserved
33h	Reset keyboard except Winbond 977 series Super I/O chips.
34h	Reserved
35h	Reserved
36h	Reserved
37h	Reserved
38h	Reserved
39h	Reserved
3Ah	Reserved
3Bh	Reserved
3Ch	Test 8254
3Dh	Reserved
3Eh	Test 8259 interrupt mask bits for channel 1.
3Fh	Reserved
40h	Test 8259 interrupt mask bits for channel 2.
41h	Reserved
42h	Reserved
43h	Test 8259 functionality.
44h	Reserved
45h	Reserved
46h	Reserved
47h	Initialize EISA slot
48h	Reserved
49h	1. Calculate total memory by testing the last double word of each 64K page. 2. Program writes allocation for AMD K5 CPU.
4Ah	Reserved
4Bh	Reserved
4Ch	Reserved
4Dh	Reserved
4Eh	1. Program MTRR of M1 CPU 2. Initialize L2 cache for P6 class CPU & program CPU with proper cacheable range. 3. Initialize the APIC for P6 class CPU. 4. On MP platform, adjust the cacheable range to smaller one in case the cacheable ranges between each CPU are not identical.
4Fh	Reserved
50h	Initialize USB
51h	Reserved
52h	Test all memory (clear all extended memory to 0)
53h	Reserved
54h	Reserved
55h	Display number of processors (multi-processor platform)
56h	Reserved
57h	1. Display PnP logo 2. Early ISA PnP initialization -Assign CSN to every ISA PnP device.

POST (hex)	Description
58h	Reserved
59h	Initialize the combined Trend Anti-Virus code.
5Ah	Reserved
5Bh	(Optional Feature) Show message for entering AWDFLASH.EXE from FDD (optional)
5Ch	Reserved
5Dh	1. Initialize Init_Onboard_Super_IO switch. 2. Initialize Init_Onboard_AUDIO switch.
5Eh	Reserved
5Fh	Reserved
60h	Okay to enter Setup utility; i.e. not until this POST stage can users enter the CMOS setup utility.
61h	Reserved
62h	Reserved
63h	Reserved
64h	Reserved
65h	Initialize PS/2 Mouse
66h	Reserved
67h	Prepare memory size information for function call: INT 15h ax=E820h
68h	Reserved
69h	Turn on L2 cache
6Ah	Reserved
6Bh	Program chipset registers according to items described in Setup & Auto-configuration table.
6Ch	Reserved
6Dh	1. Assign resources to all ISA PnP devices. 2. Auto assign ports to onboard COM ports if the corresponding item in Setup is set to "AUTO".
6Eh	Reserved
6Fh	1. Initialize floppy controller 2. Set up floppy related fields in 40:hardware.
70h	Reserved
71h	Reserved
72h	Reserved
73h	(Optional Feature) Enter AWDFLASH.EXE if : -AWDFLASH is found in floppy drive. -ALT+F2 is pressed
74h	Reserved
75h	Detect & install all IDE devices: HDD, LS120, ZIP, CDROM.....
76h	Reserved
77h	Detect serial ports & parallel ports.
78h	Reserved
79h	Reserved
7Ah	Detect & install co-processor
7Bh	Reserved
7Ch	Reserved
7Dh	Reserved
7Eh	Reserved
7Fh	1. Switch back to text mode if full screen logo is supported. -If errors occur, report errors & wait for keys -If no errors occur or F1 key is pressed to continue: ♦Clear EPA or customization logo.

POST (hex)	Description
80h	Reserved
81h	Reserved
82h	<ol style="list-style-type: none"> 1. Call chipset power management hook. 2. Recover the text font used by EPA logo (not for full screen logo) 3. If password is set, ask for password.
83h	Save all data in stack back to CMOS
84h	Initialize ISA PnP boot devices
85h	<ol style="list-style-type: none"> 1. USB final Initialization 2. NET PC: Build SYSID structure 3. Switch screen back to text mode 4. Set up ACPI table at top of memory. 5. Invoke ISA adapter ROMs 6. Assign IRQs to PCI devices 7. Initialize APM 8. Clear noise of IRQs.
86h	Reserved
87h	Reserved
88h	Reserved
89h	Reserved
90h	Reserved
91h	Reserved
92h	Reserved
93h	Read HDD boot sector information for Trend Anti-Virus code
94h	<ol style="list-style-type: none"> 1. Enable L2 cache 2. Program boot up speed 3. Chipset final initialization. 4. Power management final initialization 5. Clear screen & display summary table 6. Program K6 write allocation 7. Program P6 class write combining
95h	<ol style="list-style-type: none"> 1. Program daylight saving 2. Update keyboard LED & typematic rate
96h	<ol style="list-style-type: none"> 1. Build MP table 2. Build & update ESCD 3. Set CMOS century to 20h or 19h 4. Load CMOS time into DOS timer tick 5. Build MSIRQ routing table.
FFh	Boot attempt (INT 19h)

NOTES

Appendix C

Installing Software Programs and Drivers

(*Note: if you do not wish to configure onboard SATA RAID functions, please go directly to Section C-3 for the OS & Software Installation.)

After all the hardware has been installed, you must first configure Intel's ICH6R SATA RAID (*Note) before you install the Operating System, and other software drivers. The necessary drivers and user's guides are all included on the Supermicro CDs that came packaged with your motherboard.

C-1 Configuring ICH6R SATA RAID Settings

To configure SATA RAID functions, you must first configure the RAID Level that you desire in the Intel ICH6R SATA RAID Utility program before you install Windows XP/2000/2003, or the Linux/SuSE operating system, and other software drivers. The necessary drivers are all included on the Supermicro CDs that came packaged with your motherboard. (*Note: the current version of ICH6R SATA RAID Utility can only support Windows XP/2000/2003 and Linux/SuSE Operating Systems.)

Serial ATA (SATA)

Serial ATA (SATA) is a physical storage interface. It uses a single cable with a minimum of four wires to create a point-to-point connection between devices. It is a serial link which supports SATA Transfer rates up to 150MBps. Because the serial cables used in SATA are thinner than the traditional cables used in Parallel ATA (PATA), SATA systems have better airflow and can be installed in smaller chassis than Parallel ATA. In addition, the cables used in PATA can only extend to 40 cm long, while Serial ATA cables can extend up to one meter. Overall, Serial ATA provides better functionality than Parallel ATA.

Introduction to the Intel ICH6R Serial RAID

Located in the South Bridge of the E7221 Copper River Chipset, the I/O Controller Hub (ICH6R) provides the I/O subsystem with access to the rest of the system. It supports one-channel Ultra ATA/100 Bus Master IDE controller (PATA) and Serial ATA (SATA) Host Controller, which supports up to four Serial ATA ports and up to two sets of RAID drives. RAID 0 (Striping), RAID 1 (Mirroring) and RAID 10 (Striping+Mirroring) are supported. The ICH6R supports the Parallel ATA (PATA) and Serial (SATA) device configuration.

ATA Operation Modes

You can select from the following two modes: Legacy mode and Native mode.

SATA Operate Modes

You can select from the following modes: Auto, Combined, Enhanced, and SATA Only Mode. The number of devices supported by these modes are listed below:

- *SATA Only: The maximum of 4 devices are supported (4 SATA)
- *Auto Mode: The maximum of 6 devices supported (4 SATA + 2 IDE)
- *Enhanced Mode: The maximum of 6 devices supported (4 SATA + 2 IDE)
- *Combined Mode: The maximum of 4 devices supported (2 SATA + 2 IDE)

Configuring BIOS settings for the SATA RAID (The Native Mode)

1. Press the key during system bootup to enter the BIOS Setup Utility.

(*Note: If it is the first time powering on the system, we recommend you load Optimized Default Settings. If you have already done so, please skip to Step 3.
2. Use the arrow keys to select the "Exit" Settings . Once in the "Exit" settings, Scroll down to select the item- "Load Optimized Default settings" and press the <Enter> key. Select "OK" to confirm the selection. Press the <Enter> key to load the default settings for the BIOS.
3. Use the arrow keys to select the "Advanced" in the BIOS.
4. Scroll down to the item-"Advanced Chipset Control" and press the <Enter> Key to select this option.
5. Select the item- "On-Chip Serial ATA", and press the <Enter> Key. When the sub-menu appears, select the item-"Enhanced Mode".
6. Scroll up to the item- "SATA Mode", and press the <Enter> Key to select this option. When the sub-menu appears, select the item-"RAID".
7. Tap "Esc" and scroll down to "Exit". Select "Save and Exit" from the "Exit" menu. Press the <Enter> key to save the changes and exit the BIOS.
8. Once you've exited the BIOS Utility, the system will re-boot.

Using the LSI ICH6R SATA RAID Utility Driver

Accessing the LSI SATA RAID Utility:

After the system exits from the BIOS Setup Utility, the system will automatically reboot. To run the LSI Logic Embedded SATA RAID Setup Utility, press the <CTRL> key and the <M> key simultaneously during system bootup as shown in the screen below:

```

LSI Logic Embedded SATA RAID BIOS Version 5.3.12141535R
(c)2004 Copyright LSI Logic Corporation. All Rights Reserved.

LSI Logic Embedded SATA RAID Found at PCI Bus No:00 Dev No:1F
Scanning for Port 0 ... Responding. WDC WD2500JD-00F 238475MB      UDMA 5
Scanning for Port 1 ... Responding. WDC WD2500JD-00F 238475MB      UDMA 5
Scanning for Port 2 ... Responding. WDC WD2500JD-00F 238475MB      UDMA 5
Scanning for Port 3 ... Responding. WDC WD2500JD-00F 238475MB      UDMA 5

01 Logical drive(s) Configured.
Array#      Mode      Stripe Size      No.Of Stripes      DriveSize      Status
00          Reliability  64KB(128 Sectors)  02                 238352MB      Online

Press Ctrl-M to run LSI Logic Embedded SATA RAID Setup Utility.

```

LSI SATA RAID Utility Main Menu

Once you've entered the LSI SATA RAID Setup Utility, the Main Menu of the SATA RAID Setup Utility displays as shown below:

```

LSI Logic Embedded SATA RAID Configuration Utility Ver 5.25 Oct 20, 2004

Management Menu
Configure
Initialize
Objects
Rebuild
Check Consistency

Configure Logical Drive(s)

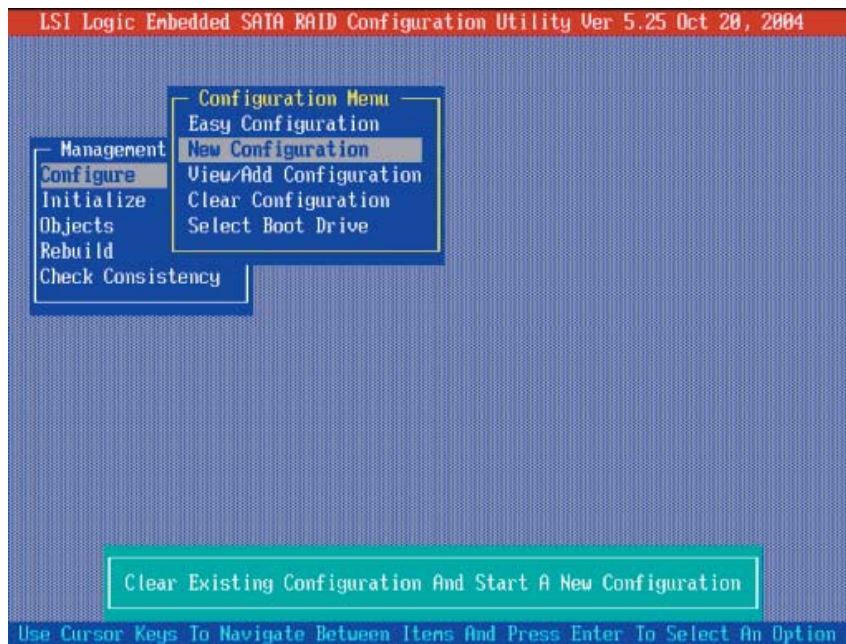
Use Cursor Keys To Navigate Between Items And Press Enter To Select An Option

```

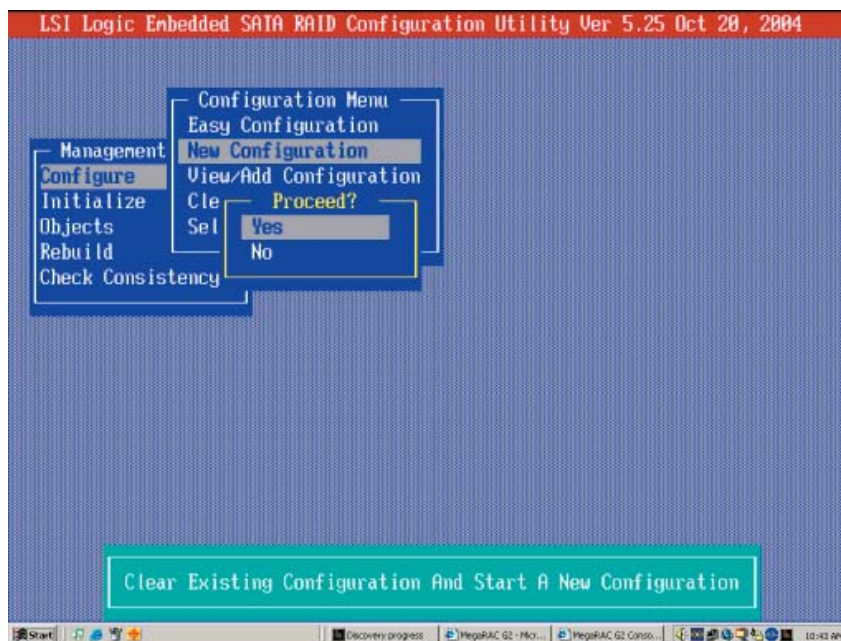
(*Note: Please refer to the LSI User's Guide, which is included in the CD for installing the LSI SATA RAID Controller Driver. You can also download a copy of the guide from our web site.)

Creating New A SATA RAID:

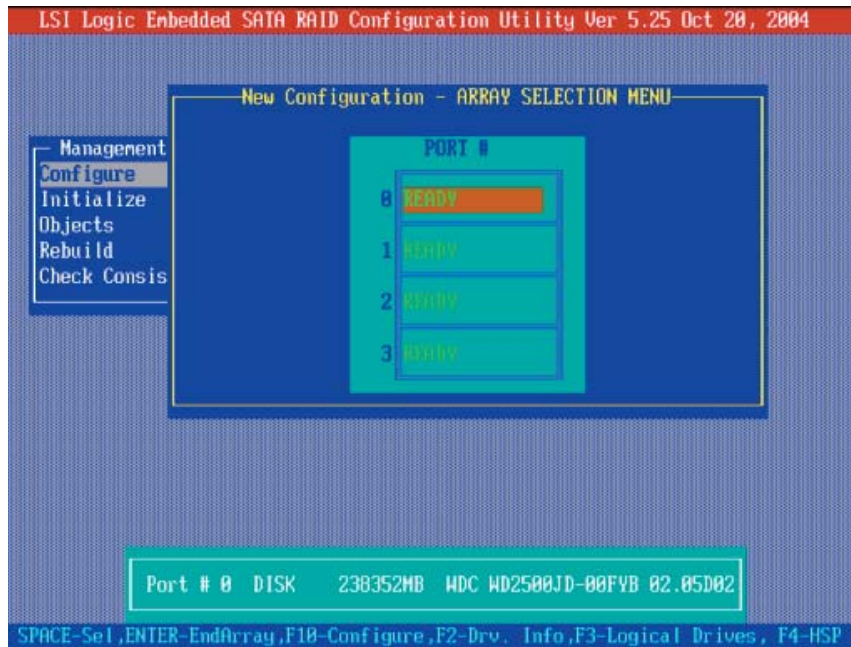
a. From the Setup Utility Main Menu (shown on the previous page), select "Configure" and press the <Enter> key. The following screen displays:



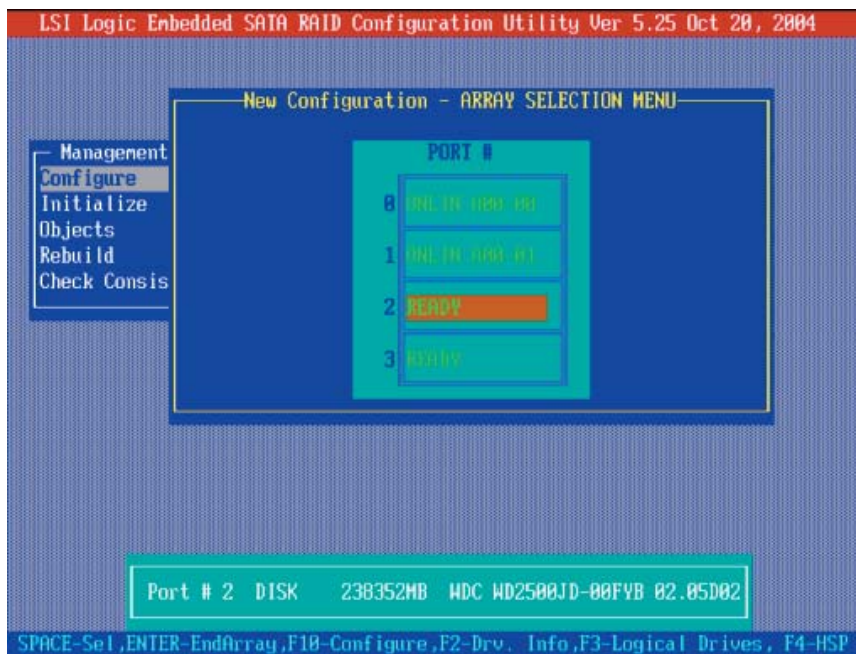
b. From the Configuration Submenu, select "New Configuration" and press the <Enter> key to activate the following submenu:



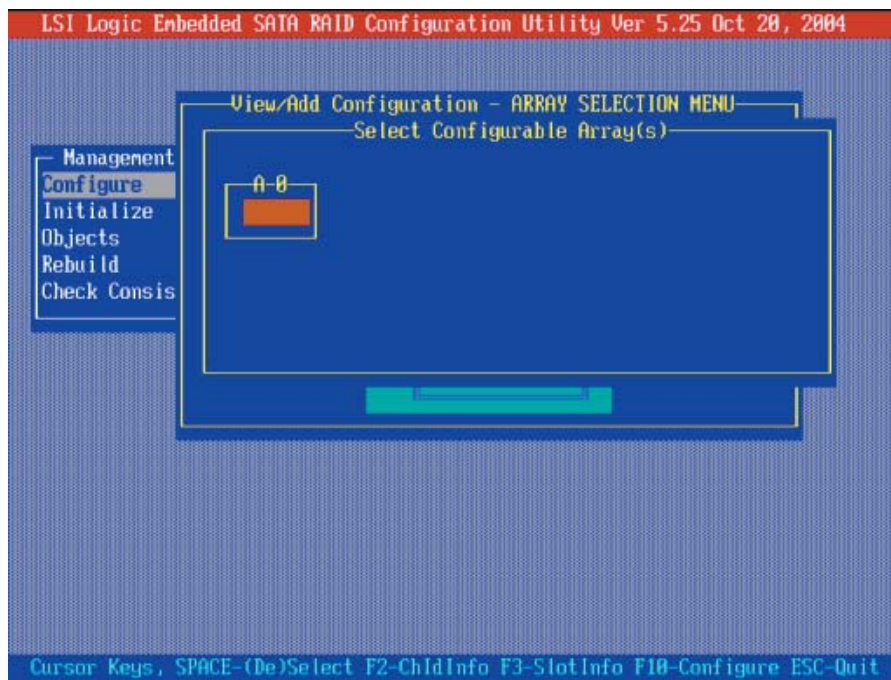
c. When the submenu appears, highlight "Yes" and press the <Enter> key at the prompt (as shown above) to proceed with the new RAID Configuration. The following screen displays:



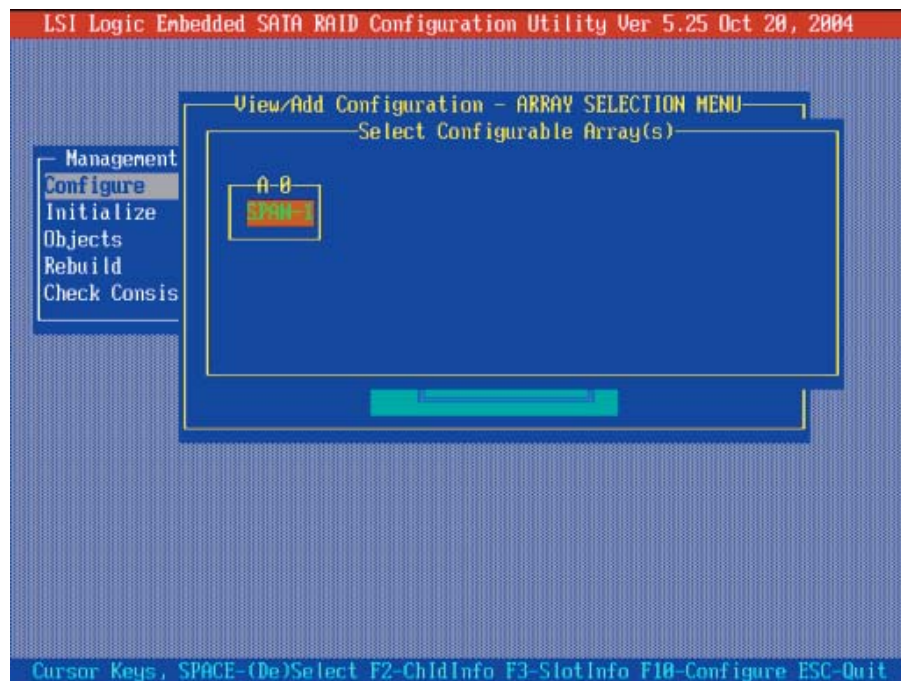
d. When the screen shown above appears, press the space bar on your keyboard to select the physical drives that you wish to configure as RAID drives and the texts of the selected drives will change from "Ready" to "ONLINE" shown below:



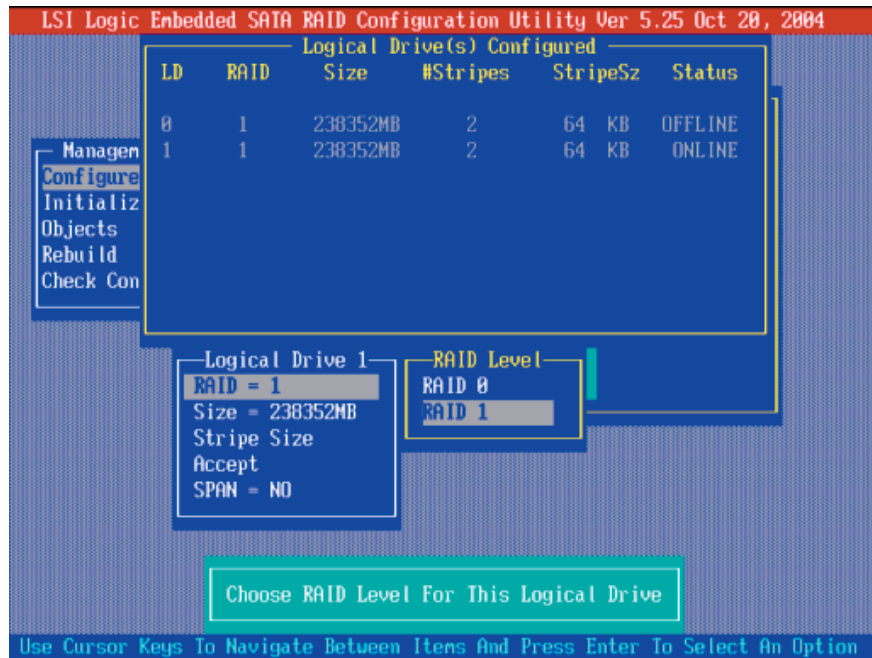
e. When the screen shown above displays, press <F10> to associate the selected physical drive with the current array. Once you've finished creating the current array, press <Enter>. The following screen appears:



f. When the screen shown above displays, press the space bar to select the array.



g. When the pop-up submenu, indicating "SPAN-1" appears (as shown) above, use the space bar to configure the selected drive and press <F10>. The following screen appears:



- h. When the screen shown above appears, highlight RAID 1 to select it (*default), or press <Enter> for other RAID options.
- i. After completing the RAID level selection, use the arrow keys to highlight "Accept", and press <Enter>.
- j. Once you've created a new RAID, save the configuration and proceed with disk drive initialization.

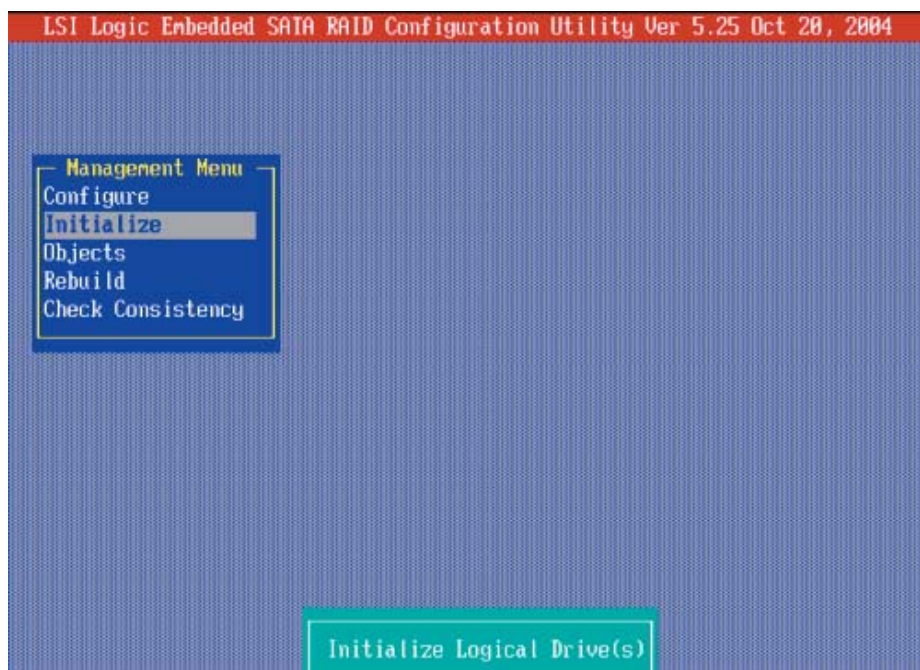
Initializing Disk Drives

If an installed disk does not appear in the disk selection list for creating a new array or if it appears grayed out, you may have to initialize it before you can use it as part of an array. Drives attached to the controller must be initialized before they can be used in an array.

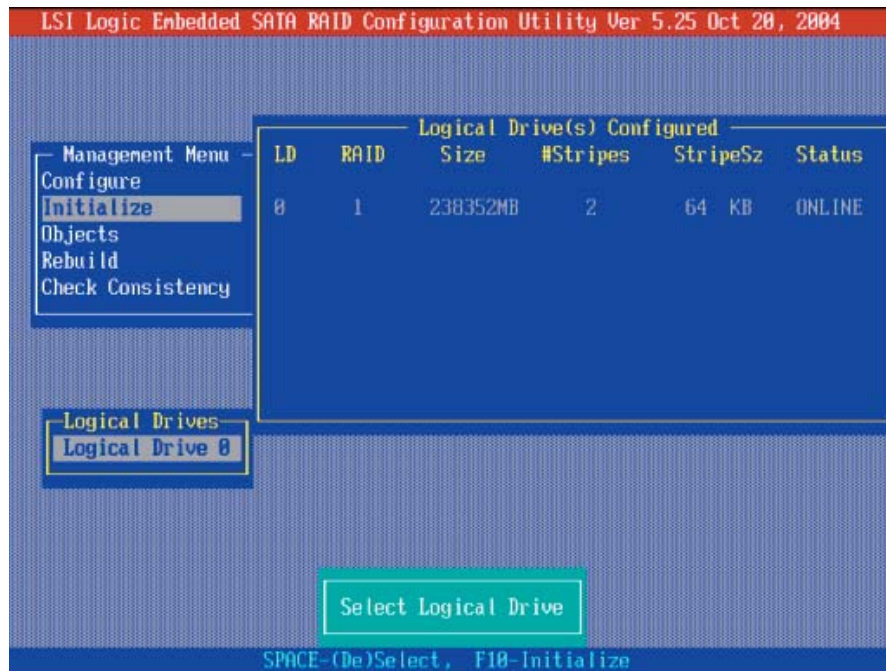
Caution: Initializing a disk overwrites the partition table on the disk and makes any data on the disk inaccessible. If the drive is used in an array, you may not be able to use the array again.

Do not initialize a disk that is part of a boot array. To determine which disks are associated with a particular array, please refer to *Viewing Array Properties*.

To Initialize Disk Drives



- a. Use the arrow keys to select the second item: Initialize from the LSI SATA RAID main menu (shown above), and press the <Enter> key.
- b. Select "Logical Drive" from the pop-up submenu, and press <Enter>.
- c. Use the Space Bar on your keyboard to select the Logical Drive you wish to initialize and press <Enter>.



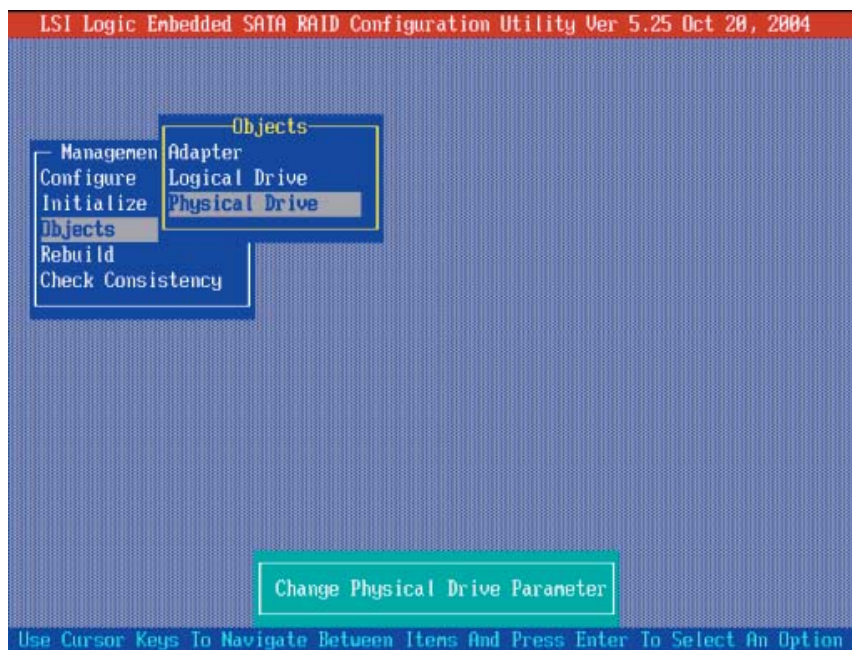
d. After selecting the Logical Drive, press <F10> to initialize the selected disk drive.

e. When prompted for confirmation, use the arrow keys to select "Yes", and press <Enter>. The following screen displays to confirm the initialization of the selected disk drive.

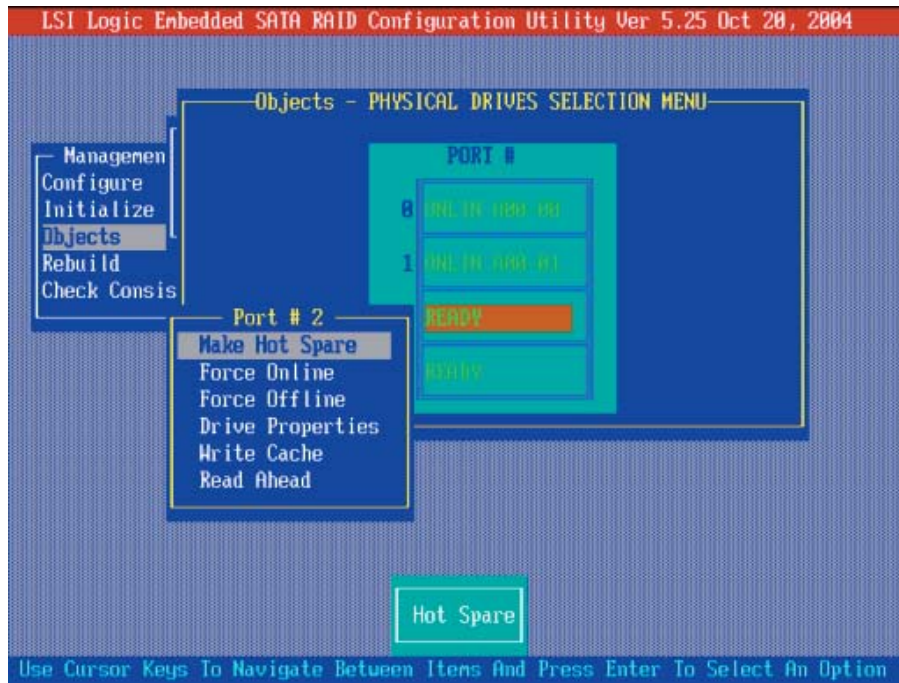
Creating Hot Spare Drives

a. Use the arrow keys to select "Objects" from the LSI SATA RAID main menu, and press <Enter>.

b. Select "Physical Drive", and press <Enter>. The following menu displays.



c. Use the space bar to select the physical drive you wish to configure as a "Hot Spare" drive from the pop-up submenu, and press <Enter>. The status of the disk drive selected will be changed from "Ready" to "HOTSP".



(**Note:** For detailed information regarding LSI's SATA RAID Configuration, please refer to the LSI User's Manual included in the CD that came with your motherboard. You can also visit our web site at www.supermicro.com for the LSI's User's Manual.)

C-2 Installing the Windows XP/2000/2003 for systems with RAID Functions

(*Note: It is strongly recommended that you initialize the disk drives before installing the OS. Refer to the previous section for disk drive initialization.)

1. Insert Supermicro's bootable CD that came with the package into the CD Drive during the system reboot. The "Super Micro Driver Diskette Maker" screen displays.
2. Choose the "Intel ICH6R Driver by 3rd Party (LSI)" from the items listed and press **Enter**.
3. From the next screen displayed, choose the OS driver you want to install and press **Enter**.
4. Insert a formatted diskette into drive A: and press **Enter** as prompted.
5. Exit the program after the process is completed. Then, reboot the system.
6. Insert the Microsoft Windows OS Setup CD in the CD Driver. The system will boot up from the CD.
7. Press the **F6** key when the message "Press F6 if you need to install a third party SCSI or RAID driver" is displayed.
8. When the Windows OS Setup screen appears, press **"S"** to specify additional device(s).
9. Insert the driver diskette labelled "LSI Embedded Serial ATA RAID Controller Driver" into your floppy drive and press the **Enter** key.
10. Choose the **"LSI Embedded Host Serial ATA RAID Controller"** from the list indicated in the Windows OS Setup Screen and press the **Enter** key.
11. Press the **Enter** key to continue the installation process. (If you need to specify any additional devices to be installed, do so at this time.) Once all devices are specified, press the **Enter** key to continue with the installation.
12. From the Windows OS Setup screen, press the **Enter** key. The OS setup routine will automatically load all device files and continue the Windows OS installation.
13. After the Windows OS installation has completed, the system will automatically reboot.

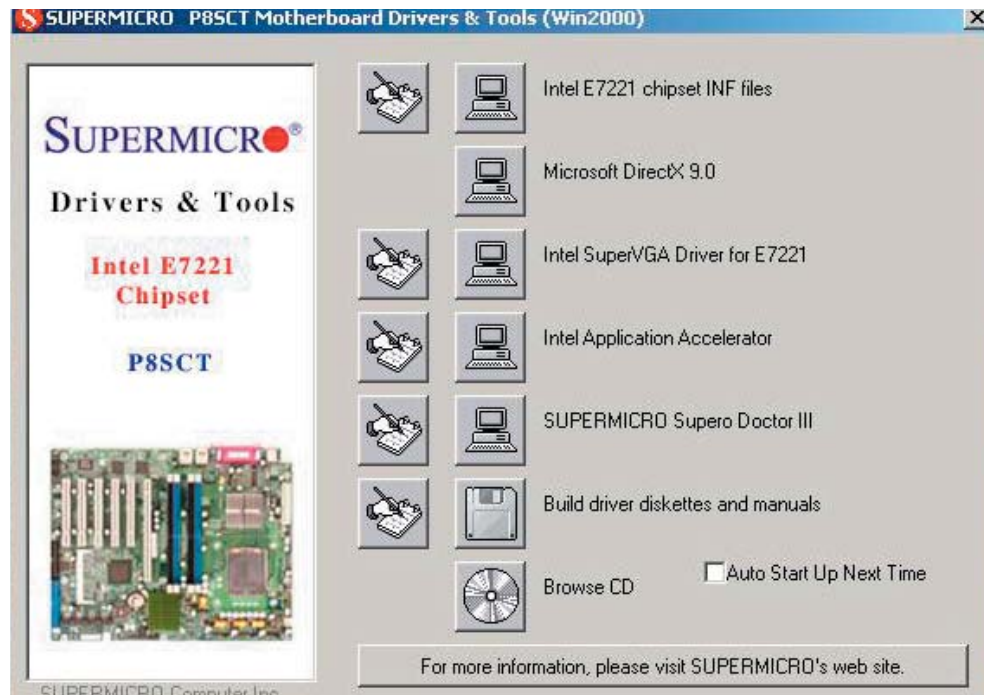
(Note: To install operating systems other than the Windows OS, or to install other software, please refer to the LSI User's manual included in the CD that came with your motherboard. You can also visit our web site at www.supermicro.com for the manual.)

C-3 Installing Other Software Programs and Drivers

Installing Other Drivers

After you've installed the Windows Operating System, a screen (as shown in Figure C-1) displays. You are now ready to install additional software programs and drivers. To install these software programs and drivers, click the icons to the right of these items.

Figure C-1. Driver/Tool Installation Display Screen



Click the icons showing a hand writing on the paper to view the readme files for each item. Click the computer icons to the right of these items to install each item (from top to the bottom) one at a time. **After installing each item, you must reboot the system before moving on to the next item on the list.** The bottom icon with a CD on it allows you to view the entire contents of the CD.

Note: Please refer to the LSI User's Guide (included in the CD) for installing the LSI SATA RAID Controller Driver. You can also download a copy of the guide from our web site.

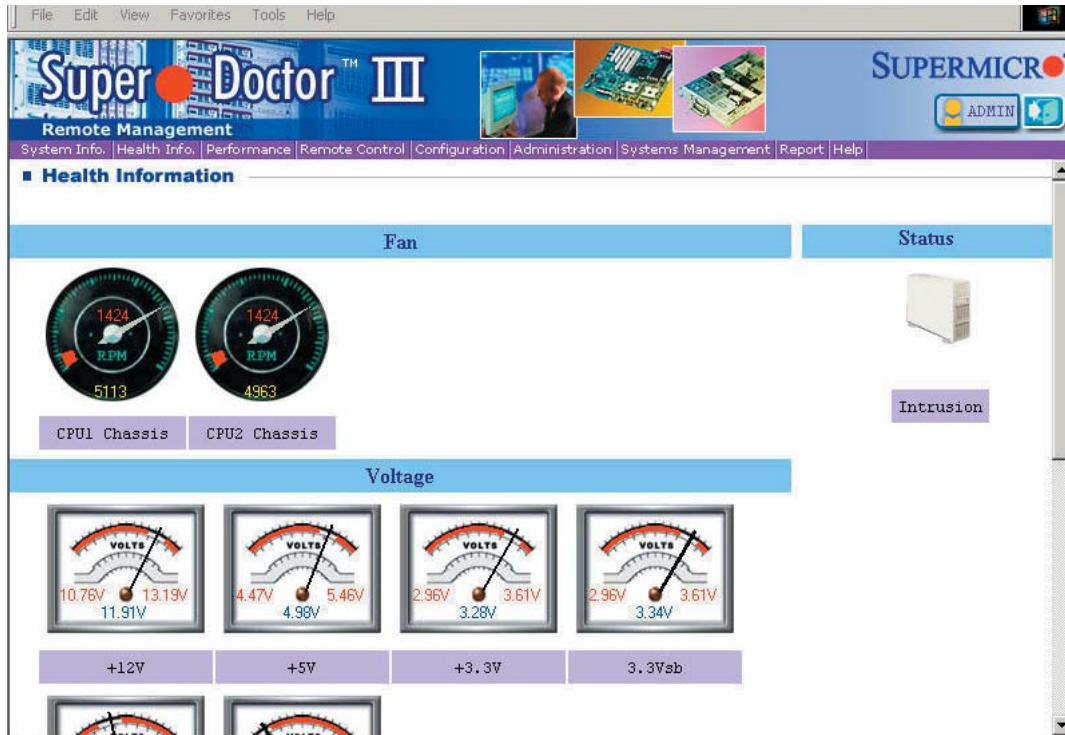
Supero Doctor III

The Supero Doctor III program is a Web-base management tool that supports remote management capability. It includes Remote and Local Management tools. The local management is called the SD III Client. The Supero Doctor III program included on the CDROM that came with your motherboard allows you to monitor the environment and operations of your system. Supero Doctor III displays crucial system information such as CPU temperature, system voltages and fan status. See the Figure below for a display of the Supero Doctor III interface.

***Note:** 1 The default user name and password are ADMIN.

***Note 2:** In the Windows OS environment, the Supero Doctor III settings take precedence over the BIOS settings. When first installed, Supero Doctor III adopts the temperature threshold settings previously set in BIOS. Any subsequent changes to these thresholds must be made within Supero Doctor, since the SD III settings override the BIOS settings. For the Windows OS to adopt the BIOS temperature threshold settings, please change the SDIII settings to be the same as those set in BIOS.

Supero Doctor III Interface Display Screen-I (Health Information)



Supero Doctor III Interface Display Screen-III (Remote Control)

Graceful power control

Supero Doctor III allows a user to inform the OS to reboot or shut down within a specified time (the default is 30 seconds). Before the system reboots or shuts down, it's allowed to cancel the action.

Requirements

Keep Supero SD3Service Daemon running at all times on this system.
Provide TCP/IP connectivity.

Power control

***Note:** SD III Software Revision 1.0 can be downloaded from our web site at: ftp://ftp.supermicro.com/utility/Supero_Doctor_III/. You can also download SDIII User's Guide at: <http://www.supermicro.com/PRODUCT/Manuals/SDIII/UserGuide.pdf>. For Linux, we will still recommend Supero Doctor II.