

LINE DRAWING



415V, 3Φ Wye, 17.3kVA, 24A

FEATURES



Securelock

Energy Metering	Voltage (V), Current (A), Active Power (kW), Real Power (kVA), Energy (kWh), Power Factor
Metering Accuracy	ISO/IEC 62053-21 1%
Metering per input line	Yes
Metering per Branch Circuit Breaker	Yes
Metering per Output Receptacle	Yes
Remote Outlet Switching	No
Environmental Sensor Ready	Yes
Compatible Sensors	Temperature, Humidity, Air Flow, Differential Pressure, Water Leak, and Contact Closure.
Networking	10/100 BaseT Ethernet. Optional WiFi (802.11a/b/g/n)
Remote Management	HTTP(s); SSH; Telnet; RS-232 (Serial); Power IQ; SNMP version v2/v3; SMTP; JSON-RPC
Cascading	Yes, Max 8 PDUs can be daisy chained using a single Ethernet connection
Onboard Display	3-digit LED user-selectable display (voltage, current, or active power : per line, per breaker or per receptacle / outlet). Auto-flip orientation.

INPUT

Input Plug	NEMA L22-30P (4P5W)
Cord Length	3 meters (9.84 feet) standard
Cord Entry	Top-top feed
Cable Type	IP44("splashproof") (415V 3 phase)
Number of Power Cords	1
Maximum Input Current	30A
Nominal Input Voltage	415V
Rated Input Voltage	360 - 415V
Input Frequency	50/60Hz
Power Capacity	15.0kVA at 360V, 17.3kVA at 415V

OUTPUT

Nominal Output Voltage	230V
Rated Output Voltage	208 - 240V
Receptacles (Output Connections)	(36) IEC320 C13, 12A
Overload Protection	(6) Airpax LELBX1-20

PHYSICAL

Color	Black powder coat (custom colors available)
Unit Dimensions (WxDxH)	2.1" x 2.6" x 70.1" ; 52.20mm x 65.30mm x 1780mm
Unit Weight	9.2 kg
Shipping Weight	12 kg
Shipping Dimensions (WxDxH)	11.02" x 4.53" x 80.91" ; 280mm x 115mm x 2055mm
Mounting	G2-RACK-FOR-ZU

ENVIRONMENTAL

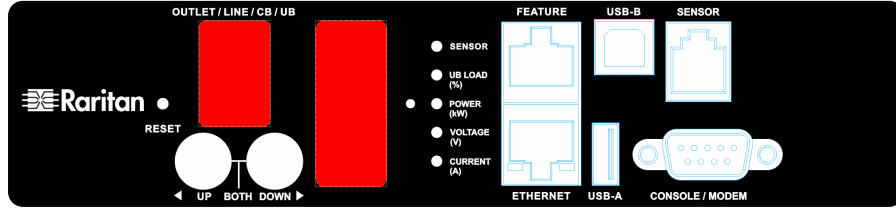
Operating Temperature/Environment	60°C
Operating Relative Humidity	85%
Operating Elevation	0-10000ft

CONFORMANCE

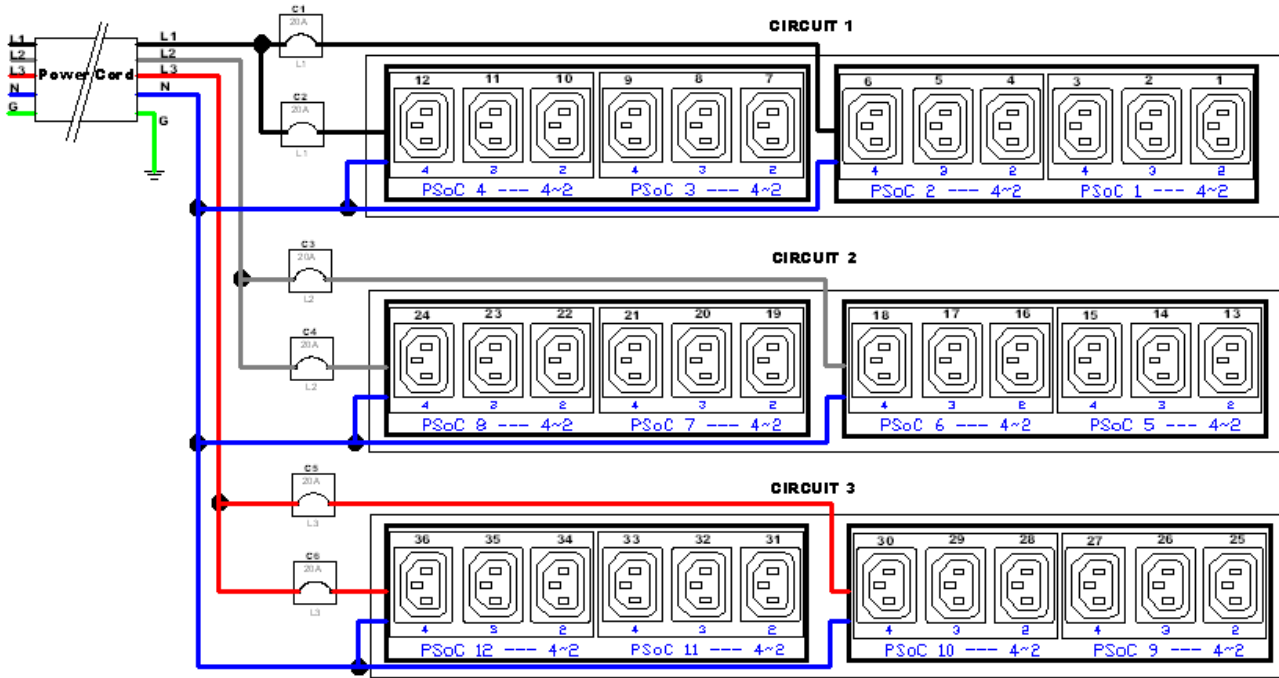
Regulatory Approvals	UL Listed, Canada ICES-003, Class A Part 15 Class A of the FCC rules RoHS compliant
Warranty	Standard 2 years manufacturer warranty

CONTROL PANEL

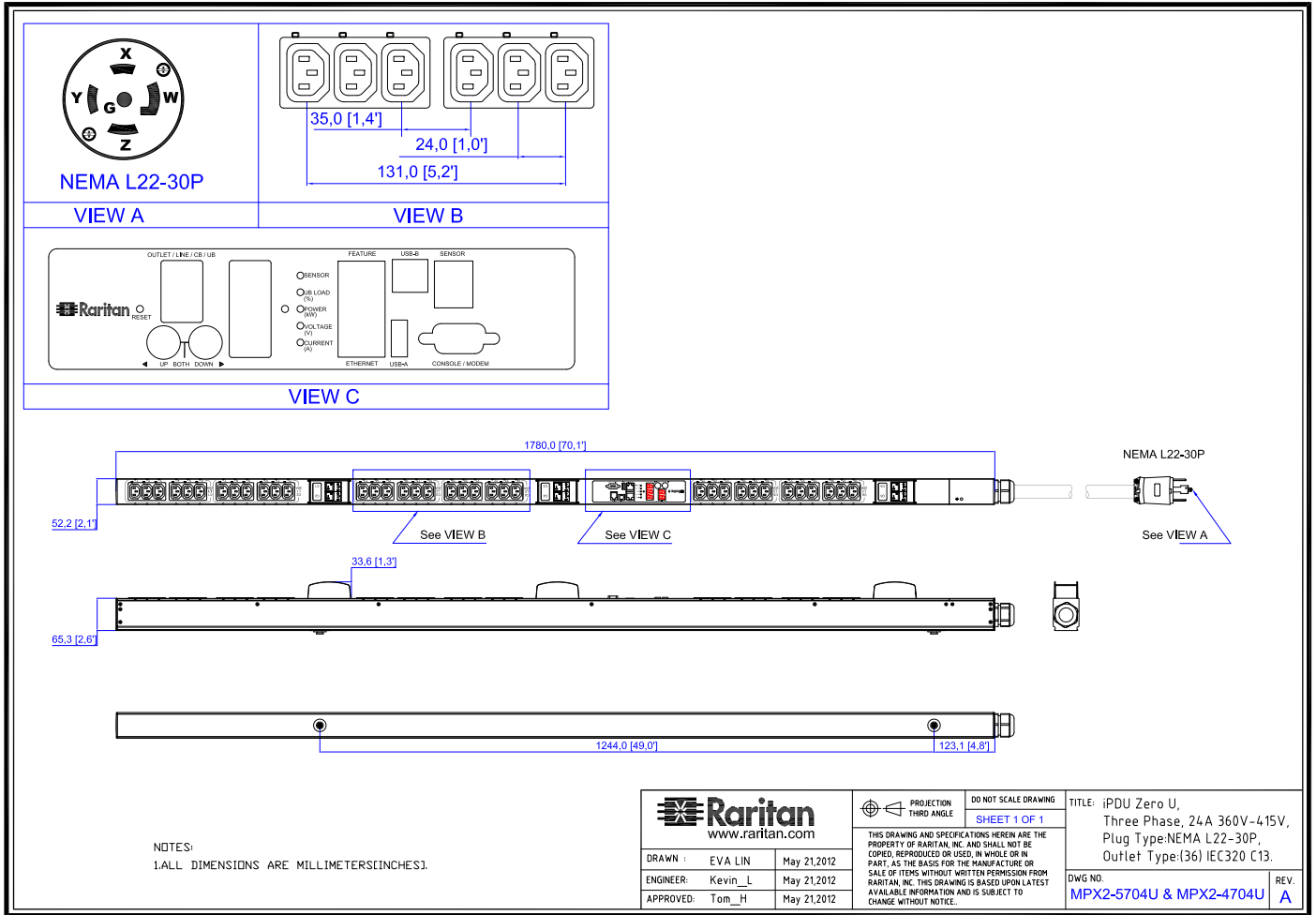
Dimension: 188mm x 43mm



ELECTRICAL (ONE LINE) DIAGRAM

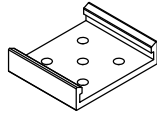
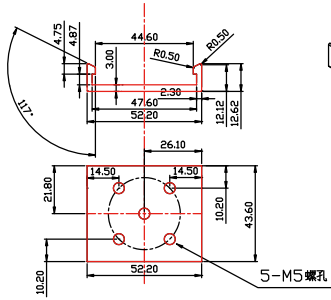


MECHANICAL DIAGRAM

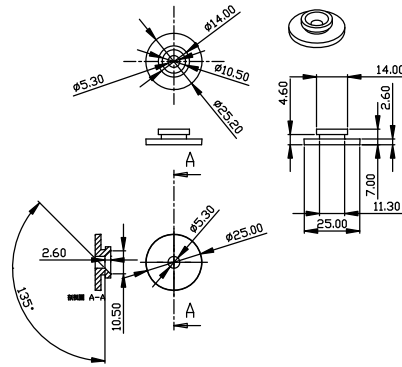


Mounting Diagram (G2-RACK-FOR-ZU)

250-70-0104-00

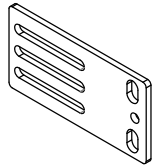
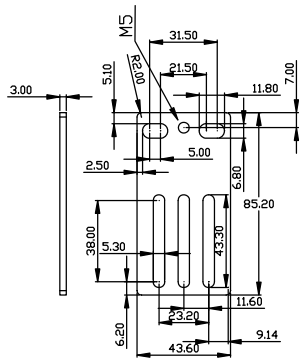


250-80-0011-00

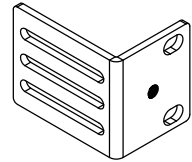
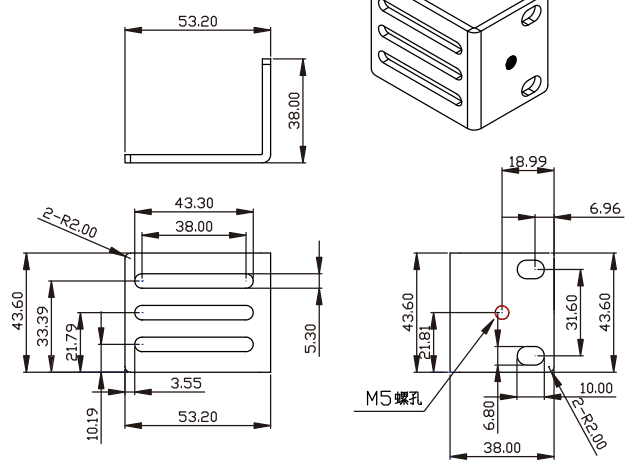


250-70-0093-00

250-70-0007-00



250-70-0093-00



TRIP CURVE

