



# SSG500 LINE OF SECURE SERVICES GATEWAYS

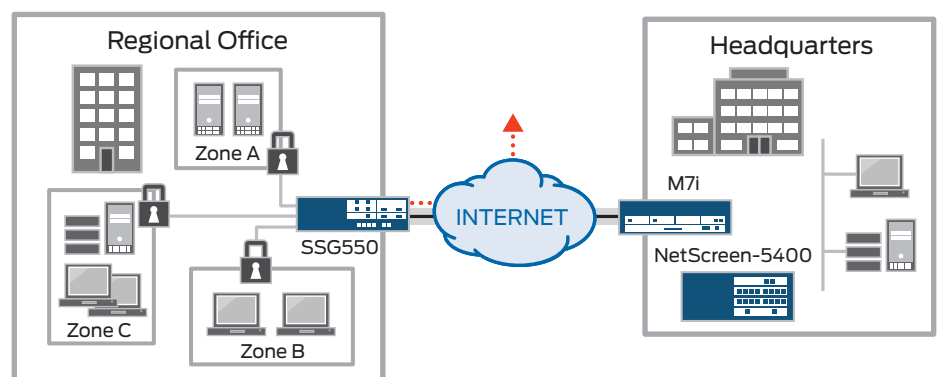
## Product Overview

Juniper Networks SSG500 line consists of purpose-built security appliances that deliver the perfect blend of performance, security, routing and LAN/WAN connectivity for large, regional branch offices and medium-sized, standalone businesses. Traffic flowing in and out of the regional office or business is protected from worms, spyware, trojans and malware by a complete set of unified threat management security features including stateful firewall, IPsec VPN, IPS, antivirus (includes antispyware, anti-adware, antiphishing), antispam and Web filtering. The SSG500 line comprises the SSG550/SSG550M and the SSG520/SSG520M Secure Services Gateways.

## Product Description

Juniper Networks® SSG500 line of secure services gateways consists of high-performance security platforms for regional branch office and medium-sized, standalone businesses that want to stop internal and external attacks, prevent unauthorized access and achieve regulatory compliance. The Juniper Networks SSG550/SSG550M Secure Services Gateway provides 1+ Gbps of stateful firewall performance and 500 Mbps of IPsec VPN performance, while the Juniper Networks SSG520/SSG520M Secure Services Gateway provides 650 Mbps of stateful firewall performance and 300 Mbps of IPsec VPN performance.

**Security:** Protection against worms, viruses, trojans, spam and emerging malware is delivered by proven unified threat management (UTM) security features that are backed by best-in-class partners. To address internal security requirements and facilitate regulatory compliance, the SSG500 line supports an advanced set of network protection features such as security zones, virtual routers and VLANs that allow administrators to divide the network into distinct, secure domains, each with their own unique security policy. Policies protecting each security zone can include access control rules and inspection by any of the supported UTM security features.



The SSG550 deployed at a branch office for secure Internet connectivity and site-to-site VPN to corporate headquarters. Internal branch office resources are protected with unique security policies applied to each security zone.

**Connectivity and Routing:** The SSG500 line provides four onboard 10/100/1000 interfaces complemented by six I/O expansion slots that can house a mix of LAN or WAN interfaces, making the SSG500 line an extremely flexible platform. The broad array of I/O options coupled with WAN protocol and encapsulation support makes SSG500 line gateways easily deployable as traditional branch office routers or as consolidated security and routing devices to reduce CapEx and OpEx.

**Access Control Enforcement:** The SSG500 line gateways can act as enforcement points in a Juniper Networks Unified Access Control deployment with the simple addition of the IC Series UAC appliance. The IC Series appliance functions as a central policy management

engine by interacting with the SSG500 line to augment or replace the firewall-based access control with a solution that grants/denies access based on more granular criteria, including endpoint state and user identity in order to accommodate the dramatic shifts in attack landscape and user characteristics.

**World-Class Support:** From simple lab testing to major network implementations, Juniper Networks Professional Services will collaborate with your team to identify goals, define the deployment process, create or validate the network design and manage the deployment to its successful conclusion.

## Features and Benefits

FEATURE	FEATURE DESCRIPTION	BENEFIT
High performance	Purpose-built platform is assembled from custom-built hardware, powerful processing and a security-specific operating system.	Delivers performance headroom required to protect against internal and external attacks now and into the future.
Best-in-class UTM security features	UTM security features (antivirus, antispam, Web filtering, IPS) stop all manner of viruses and malware before they damage the network.	Ensures that the network is protected against all manner of attacks.
Integrated antivirus	Annually licensed antivirus engine, provided by Juniper, is based on Kaspersky Lab engine.	Stops viruses, spyware, adware and other malware.
Integrated antispam	Annually licensed antispam offering, provided by Juniper, is based on Sophos technology.	Blocks unwanted email from known spammers and phishers.
Integrated Web filtering	Annually licensed Web filtering solution, provided by Juniper, is based on Websense SurfControl technology.	Controls/blocks access to malicious Web sites.
Integrated Intrusion Prevention System (IPS) (Deep Inspection)	Annually licensed IPS engine is available with Juniper Networks Deep Inspection Firewall Signature Packs.	Prevents application-level attacks from flooding the network.
Fixed Interfaces	Four fixed 10/100/1000 interfaces, two USB ports, one Console port and one Auxiliary port are standard on all SSG500 line models.	Provides high-speed LAN connectivity, future connectivity and flexible management.
Network segmentation	Bridge groups, security zones, virtual LANs and virtual routers allow administrators to deploy security policies to isolate guests, wireless networks and regional servers or databases.*	Powerful capabilities facilitate deploying security for various internal, external and DMZ sub-groups on the network, to prevent unauthorized access.
Interface modularity	Six interface expansion slots support optional T1, E1, Serial, ADSL/ADSL2/ADSL2+, G.SHDSL, DS3, E3, 10/100/1000, 10/100 and SFP connectivity.	Delivers combination of LAN and WAN connectivity on top of unmatched security to reduce costs and extend investment protection.
Robust routing engine	Proven routing engine supports OSPF, BGP and RIP v1/2 along with Frame Relay, Multilink Frame Relay, PPP, Multilink PPP and HDLC.	Enables the deployment of consolidated security and routing device, thereby lowering operational and capital expenditures.
Juniper Networks unified access control enforcement point	Interacts with the centralized policy management engine (IC Series) to enforce session-specific access control policies using criteria such as user identity, device security state and network location.	Improves security posture in a cost-effective manner by leveraging existing customer network infrastructure components and best-in-class technology.
Management flexibility	Use any one of three mechanisms, CLI, WebUI or Juniper Networks Network and Security Manager (NSM), to securely deploy, monitor and manage security policies.	Enables management access from any location, eliminating on-site visits thereby improving response time and reducing operational costs.
Auto-connect VPN	Automatically sets up and takes down VPN tunnels between spoke sites in a hub-and-spoke topology.	Provides a scalable VPN solution for mesh architectures with support for latency-sensitive applications such as VoIP and video conferencing.
World-class professional services	From simple lab testing to major network implementations, Juniper Networks Professional Services will collaborate with your team to identify goals, define the deployment process, create or validate the network design and manage the deployment.	Transforms the network infrastructure to ensure that it is secure, flexible, scalable and reliable.

\* Bridge groups supported only on uPIMs in ScreenOS 6.0 and greater releases

## Product Options

Single or redundant AC or DC power supplies	All models in the SSG500 line are available with either AC or DC power supplies. The SSG520 and SSG520M offer a single power supply. The SSG550 and SSG550M are available with optional redundant power supplies.	SSG550/SSG550M SSG520/SSG520M
Network Equipment Building Systems (NEBS) compliance	NEBS-compliant versions of the SSG520M and the SSG550M are available.	SSG550M SSG520M
DRAM	All models in the SSG500 line are available with 1 GB of DRAM. The SSG520 and SSG550 are also available in 512 MB-DRAM versions.	SSG550/SSG550M SSG520/SSG520M
Unified Threat Management/Content Security (high memory option required)	The SSG500 line can be configured with any combination of the following best-in-class UTM and content security functionality: antivirus (includes antispymware, antiphishing), IPS (Deep Inspection), Web filtering and/or antispam.	SSG550 (high-memory model only)/SSG550M SSG520 (high-memory model only)/SSG520M
I/O options	Six interface expansion slots support optional T1, E1, Serial, DS3, 10/100/1000, 10/100 and SFP connectivity.	SSG550/SSG550M SSG520/SSG520M



## Specifications

	SSG520/SSG520M	SSG550/SSG550M
<b>Maximum Performance and Capacity<sup>(1)</sup></b>		
ScreenOS® version tested	ScreenOS 6.2	ScreenOS 6.2
Firewall performance (large packets)	650+ Mbps	1+ Gbps
Firewall performance (IMIX) <sup>(2)</sup>	600 Mbps	1 Gbps
Firewall packets per second (64 byte)	300,000 PPS	600,000 PPS
AES256+SHA-1 VPN performance	300 Mbps	500 Mbps
3DES+SHA-1 VPN performance	300 Mbps	500 Mbps
Maximum concurrent sessions	128,000	256,000
New sessions/second	10,000	15,000
Maximum security policies	4,000	4,000
Maximum users supported	Unrestricted	Unrestricted
Convertible to Juniper Networks Junos® operating system 8.0 or higher	SSG520M only	SSG550M only
<b>Network Connectivity</b>		
Fixed I/O	4x10/100/1000	4x10/100/1000
Physical Interface Module (PIM) slots	6 (2 ePIM/uPIM/PIM + 4 uPIM/PIM)	6 (4 ePIM/uPIM/PIM + 2 uPIM/PIM)
WAN interface options (PIMS)	Serial, T1, E1, DS3, E3, ADSL/ADSL2/ADSL2+, G.SHDSL	Serial, T1, E1, DS3, E3, ADSL/ADSL2/ADSL2+, G.SHDSL
LAN interface options (ePIMS and uPIMS)	10/100, 10/100/1000, and SFP	10/100, 10/100/1000, and SFP
<b>Firewall</b>		
Network attack detection	Yes	Yes
DoS and DDoS protection	Yes	Yes
TCP reassembly for fragmented packet protection	Yes	Yes
Brute force attack mitigation	Yes	Yes
SYN cookie protection	Yes	Yes
Zone-based IP spoofing	Yes	Yes
Malformed packet protection	Yes	Yes
<b>Unified Threat Management<sup>(3)</sup></b>		
IPS (Deep Inspection firewall)	Yes	Yes
Protocol anomaly detection	Yes	Yes
Stateful protocol signatures	Yes	Yes
IPS/DI attack pattern obfuscation	Yes	Yes
Antivirus	Yes	Yes
Signature database	200,000+	200,000+
Protocols scanned	POP3, HTTP, SMTP, IMAP, FTP, IM	POP3, HTTP, SMTP, IMAP, FTP, IM
Antispyware	Yes	Yes
Anti-adware	Yes	Yes
Anti-keylogger	Yes	Yes
Instant message AV	Yes	Yes
Antispam	Yes	Yes
Integrated URL filtering	Yes	Yes
External URL filtering <sup>(4)</sup>	Yes	Yes
<b>VoIP Security</b>		
H.323 ALG	Yes	Yes
SIP ALG	Yes	Yes
MGCP ALG	Yes	Yes
SCCP ALG	Yes	Yes
NAT for VoIP protocols	Yes	Yes

## Specifications (continued)

	SSG520/SSG520M	SSG550/SSG550M
<b>IPsec VPN</b>		
Concurrent VPN tunnels	500	1,000
Tunnel interfaces	100	300
DES (56-bit), 3DES (168-bit) and AES (256-bit)	Yes	Yes
MD-5 and SHA-1 authentication	Yes	Yes
Manual key, IKE, IKEv2 with EAP, PKI (X.509)	Yes	Yes
Perfect forward secrecy (DH Groups)	1,2,5	1,2,5
Prevent replay attack	Yes	Yes
Remote access VPN	Yes	Yes
L2TP within IPsec	Yes	Yes
IPsec NAT traversal	Yes	Yes
Auto-Connect VPN	Yes	Yes
Redundant VPN gateways	Yes	Yes
<b>User Authentication and Access Control</b>		
Built-in (internal) database - user limit	500	1,500
Third-party user authentication	RADIUS, RSA SecureID, LDAP	RADIUS, RSA SecureID, LDAP
RADIUS Accounting	Yes – start/stop	Yes – start/stop
XAUTH VPN authentication	Yes	Yes
Web-based authentication	Yes	Yes
802.1X authentication	Yes	Yes
Unified access control enforcement point	Yes	Yes
<b>PKI Support</b>		
PKI Certificate requests (PKCS 7 and PKCS 10)	Yes	Yes
Automated certificate enrollment (SCEP)	Yes	Yes
Online Certificate Status Protocol (OCSP)	Yes	Yes
Certificate Authorities supported	VeriSign, Entrust, Microsoft, RSA Keon, iPlanet (Netscape) Baltimore, DoD PKI	VeriSign, Entrust, Microsoft, RSA Keon, iPlanet (Netscape) Baltimore, DoD PKI
Self-signed certificates	Yes	Yes
<b>Virtualization</b>		
Maximum number of security zones	60	60
Maximum number of virtual routers	11	16
Bridge groups*	Yes	Yes
Maximum number of VLANs	125	150
<b>Routing</b>		
BGP instances	10	15
BGP peers	64	128
BGP routes	250,000	250,000
OSPF instances	3	8
OSPF routes	250,000	250,000
RIP v1/v2 instances	128	256
RIP v2 routes	250,000	250,000
Static routes	250,000	250,000
Source-based routing	Yes	Yes
Policy-based routing	Yes	Yes
ECMP	Yes	Yes

\*Bridge groups supported only on uPIMs in ScreenOS 6.0 and greater releases

## Specifications (continued)

	SSG520/SSG520M	SSG550/SSG550M
<b>Routing (continued)</b>		
Multicast	Yes	Yes
Reverse Path Forwarding (RPF)	Yes	Yes
IGMP (v1, v2)	Yes	Yes
IGMP Proxy	Yes	Yes
PIM SM	Yes	Yes
PIM SSM	Yes	Yes
Multicast inside IPsec tunnel	Yes	Yes
<b>Encapsulations</b>		
PPP	Yes	Yes
MLPPP	Yes	Yes
MLPP max physical interfaces	12	12
Frame Relay	Yes	Yes
MLFR (FRF .15, FRF .16)	Yes	Yes
MLFR max physical interfaces	12	12
HDLC	Yes	Yes
<b>IPv6</b>		
Dual stack IPv4/IPv6 firewall and VPN	Yes	Yes
IPv4 to/from IPv6 translations and encapsulations	Yes	Yes
Syn-Cookie and Syn-Proxy DoS Attack Detection	Yes	Yes
SIP, RTSP, Sun-RPC, and MS-RPC ALG's	Yes	Yes
RIPng	Yes	Yes
BGP	Yes	Yes
Transparent mode	Yes	Yes
NSRP	Yes	Yes
DHCPv6 Relay	Yes	Yes
<b>Mode of Operation</b>		
Layer 2 (transparent) mode <sup>(5)</sup>	Yes	Yes
Layer 3 (route and/or NAT) mode	Yes	Yes
<b>Address Translation</b>		
Network Address Translation (NAT)	Yes	Yes
Port Address Translation (PAT)	Yes	Yes
Policy-based NAT/PAT (L2 and L3 mode)	Yes	Yes
Mapped IP (L3 mode)	6,000	6,000
Virtual IP (L3 mode)	32	64
MIP/VIP Grouping (L3 mode)	Yes	Yes
<b>IP Address Assignment</b>		
Static	Yes	Yes
DHCP, PPPoE client	Yes	Yes
Internal DHCP server	Yes	Yes
DHCP relay	Yes	Yes
<b>Traffic Management Quality of Service (QoS)</b>		
Guaranteed bandwidth	Yes - per policy	Yes - per policy
Maximum bandwidth	Yes - per policy	Yes - per policy
Ingress traffic policing	Yes	Yes
Priority-bandwidth utilization	Yes	Yes
DiffServ marking	Yes - per policy	Yes - per policy

## Specifications (continued)

	SSG520/SSG520M	SSG550/SSG550M
<b>High Availability (HA)</b>		
Active/Active - L3 mode	Yes	Yes
Active/Passive - Transparent & L3 mode	Yes	Yes
Configuration synchronization	Yes	Yes
VRRP	Yes	Yes
Session synchronization for firewall and VPN	Yes	Yes
Session failover for routing change	Yes	Yes
Device failure detection	Yes	Yes
Link failure detection	Yes	Yes
Authentication for new HA members	Yes	Yes
Encryption of HA traffic	Yes	Yes
<b>System Management</b>		
WebUI (HTTP and HTTPS)	Yes	Yes
Command line interface (console)	Yes	Yes
Command line interface (telnet)	Yes	Yes
Command line interface (SSH)	Yes v1.5 and v2.0 compatible	Yes v1.5 and v2.0 compatible
Network and Security Manager (NSM)	Yes	Yes
All management via VPN tunnel on any interface	Yes	Yes
Rapid deployment	No	No
<b>Administration</b>		
Local administrator database size	20	20
External administrator database support	RADIUS, RSA SecurID, LDAP	RADIUS, RSA SecureID, LDAP
Restricted administrative networks	6	6
Root Admin, Admin and Read Only user levels	Yes	Yes
Software upgrades	TFTP, WebUI, NSM, SCP, USB	TFTP, WebUI, NSM, SCP, USB
Configuration rollback	Yes	Yes
<b>Logging/Monitoring</b>		
Syslog (multiple servers)	Yes - up to 4 servers	Yes - up to 4 servers
Email (two addresses)	Yes	Yes
NetIQ WebTrends	Yes	Yes
SNMP (v2)	Yes	Yes
SNMP full custom MIB	Yes	Yes
Traceroute	Yes	Yes
VPN tunnel monitor	Yes	Yes
<b>External Flash</b>		
Additional log storage	USB 1.1	USB 1.1
Event logs and alarms	Yes	Yes
System configuration script	Yes	Yes
ScreenOS Software	Yes	Yes

## Specifications (continued)

	SSG520/SSG520M	SSG550/SSG550M
<b>Dimensions and Power</b>		
Dimensions (W x H x D)	17.5 x 3.5 x 21.5 in (44.5 x 8.9 x 54.6 cm)	17.5 x 3.5 x 21.5 in (44.5 x 8.9 x 54.6 cm)
Weight	23.0 lb (no interface modules) 10.43 kg	25.0 lb (no interface modules + one power supply) 11.34 kg
Rack mountable	Yes, 2RU	Yes, 2RU
Power supply (AC)	100 to 240 VAC, 350 watts	100 to 240 VAC, 420 watts
Power supply (DC)	-48 to -72 VDC, 420 watts	-48 to -72 VDC, 420 watts
Redundant power supply (hot swappable)	No	Yes
Maximum thermal output	1,070 BTU/Hour (W)	1,145 BTU/Hour (W)
<b>Certifications</b>		
Safety certifications	UL, CUL, CSA, CB	UL, CUL, CSA, CB
EMC certifications	FCC class A, CE class A, C-Tick, VCCI class B	FCC class A, CE class A, C-Tick, VCCI class B
NEBS	Level 3 (SSG520M only)	Level 3
MTBF (Bellcore model)	12 years	12 years
<b>Security Certifications</b>		
Common Criteria: EAL4	Yes (SSG520M)	Yes (SSG550M)
FIPS 140-2: Level 2	Yes (SSG520M)	Yes (SSG550M)
ICSA Firewall and VPN	Yes	Yes
<b>Operating Environment</b>		
Operating temperature	32° to 122° F (0° to 50° C)	32° to 122° F (0° to 50° C)
Non-operating temperature	-4° to 158° F (-20° to 70° C)	-4° to 158° F (-20° to 70° C)
Humidity	10% to 90% noncondensing	10% to 90% noncondensing

- (1) Performance, capacity and features listed are based upon systems running ScreenOS 6.2 and are the measured maximums under ideal testing conditions unless otherwise noted. Actual results may vary based on ScreenOS release and by deployment. For a complete list of supported ScreenOS versions for SSG Series gateways, please visit the Juniper Customer Support Center ([www.juniper.net/customers/support/](http://www.juniper.net/customers/support/)) and click on ScreenOS Software Downloads.
- (2) IMIX stands for Internet mix and is more demanding than a single packet size as it represents a traffic mix that is more typical of a customer's network. The IMIX traffic used is made up of 58.33% 64 byte packets + 33.33% 570 byte packets + 8.33% 1518 byte packets of UDP traffic.
- (3) UTM Security features (IPS/Deep Inspection, antivirus, antispam and Web filtering) are delivered by annual subscriptions purchased separately from Juniper Networks. Annual subscriptions provide signature updates and associated support. The high memory option is required for UTM security features.
- (4) Redirect Web filtering sends traffic from the firewall to a secondary server. The redirect feature is free. However, it does require the purchase of a separate Web filtering license from either Websense or SurfControl.
- (5) NAT, PAT, policy-based NAT, virtual IP, mapped IP, virtual systems, virtual routers, VLANs, OSPF, BGP, RIPv2, Active/Active HA and IP address assignment are not available in Layer 2 transparent mode.

## IPS (Deep Inspection firewall) Signature Packs

Signature packs provide the ability to tailor the attack protection to the specific deployment and/or attack type. The following signature packs are available for the SSG500 line:

SIGNATURE PACK	TARGET DEPLOYMENT	DEFENSE TYPE	TYPE OF ATTACK OBJECT
Base	Branch offices, small/medium businesses	Client/server and worm protection	Range of signatures and protocol anomalies
Client	Remote/branch offices	Perimeter defense, compliance for hosts (desktops, and so on)	Attacks in the server-to-client direction
Server	Small/medium businesses	Perimeter defense, compliance for server infrastructure	Attacks in the client-to-server direction
Worm mitigation	Remote/branch offices of large enterprises	Most comprehensive defense against worm attacks	Worms, trojans, backdoor attacks



## Juniper Networks Services and Support

Juniper Networks is the leader in performance-enabling services and support, which are designed to accelerate, extend, and optimize your high-performance network. Our services allow you to bring revenue-generating capabilities online faster so you can realize bigger productivity gains and faster rollouts of new business models and ventures. At the same time, Juniper Networks ensures operational excellence by optimizing your network to maintain required levels of performance, reliability, and availability. For more details, please visit [www.juniper.net/us/en/products-services/](http://www.juniper.net/us/en/products-services/).

### Ordering Information

MODEL NUMBER	DESCRIPTION
<b>SSG550M</b>	
SSG-550M-SH	SSG550M with 1 GB memory, 0 PIM Cards, 1 AC power supply
SSG-550M-SH-N	SSG550M with 1 GB memory, 0 PIM Cards, 1 AC power supply, NEBS Compliant
SSG-550M-SH-DC-N	SSG550M with 1 GB memory, 0 PIM Cards, 1 DC power supply, NEBS Compliant
SSG-550M-SH-N-TAA	SSG550M System, 1 GB DRAM, 1 AC power supply – NEBS and TAA Compliant
SSG-550M-SH-DC-N-TAA	SSG550M System, 1 GB DRAM, 1 DC power supply – NEBS and TAA Compliant
<b>SSG520M</b>	
SSG-520M-SH	SSG520M with 1 GB memory, 0 PIM Cards, 1 AC power supply
SSG-520M-SH-N	SSG520M with 1 GB memory, 0 PIM Cards, 1 AC power supply, NEBS Compliant
SSG-520M-SH-N-TAA	SSG520M System, 1 GB DRAM, 1 AC power supply – NEBS and TAA Compliant
SSG-520M-SH-DC-N-TAA	SSG520M System, 1 GB DRAM, 1 DC power supply – NEBS and TAA Compliant
SSG-520M-SH-DC-N	SSG520M with 1 GB memory, 0 PIM Cards, 1 DC power supply, NEBS Compliant
<b>SSG500 Line I/O Options</b>	
JXE-1GE-TX-S	1-port Gigabit Ethernet 10/100/1000 Copper Enhanced PIM <sup>1</sup>
JXE-1GE-SFP-S	1-port Fiber Gigabit Ethernet Enhanced PIM (SFP sold separately) <sup>1</sup>
JXE-4FE-TX-S	4-port Fast Ethernet Enhanced PIM <sup>1</sup>
JXU-ISFP-S	1-port SFP 100 Mbps or Gigabit Ethernet Universal PIM (SFP sold separately)
JX-SFP-1GE-LX	Small Form Factor Pluggable 1000BASE-LX Gigabit Ethernet Optical Transceiver Module
JX-SFP-1GE-SX	Small Form Factor Pluggable 1000BASE-SX Gigabit Ethernet Optical Transceiver Module
JX-2T1-RJ48-S	2-port T1 PIM with integrated CSU/DSU
JX-2E1-RJ48-S	2-port E1 PIM with integrated CSU/DSU

MODEL NUMBER	DESCRIPTION
<b>SSG500 Line I/O Options (continued)</b>	
JX-2Serial-S	2-port Serial PIM
JX-1ADSL-A-S	1-port ADSL 2/2+ Annex A PIM
JX-1ADSL-B-S	1-port ADSL 2/2+ Annex B PIM
JX-2SHDSL-S	1-port G.SHDSL PIM
JX-IDS3-S	1-port DS3 PIM
JX-IE3-S	1-port E3 PIM
JXU-6GE-SFP-S	6-port SFP Gigabit Ethernet Universal PIM <sup>2</sup>
JXU-8GE-TX-S	8-port Gigabit Ethernet 10/100/1000 Copper Universal PIM <sup>2</sup>
JXU-16GE-TX-S	16-port Gigabit Ethernet 10/100/1000 Copper Universal PIM <sup>2</sup>

### Unified Threat Management/Content Security (High Memory Option Required)

NS-K-AVS-SSG550	Antivirus (includes antispayware, antiphishing)
NS-K-AVS-SSG520	
NS-DI-SSG550	IPS (Deep Inspection)
NS-DI-SSG520	
NS-WF-SSG550	Web filtering
NS-WF-SSG520	
NS-SPAM2-SSG550	Antispam
NS-SPAM2-SSG520	
NS-RBO-CS-SSG550	Remote Office Bundle (Includes AV, DI, WF)
NS-RBO-CS-SSG520	
NS-SMB2-CS-SSG550	Main Office Bundle (Includes AV, DI, WF, AS)
NS-SMB2-CS-SSG520	

## Ordering Information (continued)

MODEL NUMBER	DESCRIPTION
<b>SSG500 Line Memory Upgrades, Spares and Communications Cables</b>	
SSG-PS-AC	Spare power supply for SSG550, AC power
SSG-PS-DC	Spare power supply for SSG550, DC power
CBL-JX-PWR-AU	Power cable, Australia
CBL-JX-PWR-CH	Power cable, China
CBL-JX-PWR-EU	Power cable, Europe
CBL-JX-PWR-IT	Power cable, Italy
CBL-JX-PWR-JP	Power cable, Japan
CBL-JX-PWR-UK	Power cable, UK
CBL-JX-PWR-US	Power cable, USA
SSG-500-MEM-1GB	1 gigabyte memory upgrade for the SSG500 line
SSG-500-FLTR	Replacement air filter for SSG550 line
JX-CBL-EIA530-DCE	EIA530 cable (DCE)
JX-CBL-EIA530-DTE	EIA530 cable (DTE)
JX-CBL-RS232-DCE	RS232 cable (DTE)
JX-CBL-RS449-DCE	RS449 cable (DCE)
JX-CBL-RS449-DTE	RS449 cable (DTE)
JX-CBL-V35-DCE	V.35 cable (DCE)
JX-CBL-V35-DTE	V.35 cable (DTE)
JX-CBL-X21-DCE	X.21 cable (DCE)
JX-CBL-X21-DT	X.21 cable (DTE)
JX-Blank-FP-S	Blank I/O plate

<sup>1</sup> Enhanced Pluggable Interface Modules (Enhanced PIMs) are used in ePIM slots only (SSG520/SSG520M, SSG550/SSG550M, Juniper Networks J4350 and J6350 Services Routers only).

<sup>2</sup> Universal Pluggable Interface Modules (Universal PIMs) are used in either ePIM slots or regular PIM slots on the Juniper Networks SSG Series Secure Services Gateways and J Series Services Routers and are only supported in ScreenOS 6.0 or greater releases.

## About Juniper Networks

Juniper Networks, Inc. is the leader in high-performance networking. Juniper offers a high-performance network infrastructure that creates a responsive and trusted environment for accelerating the deployment of services and applications over a single network. This fuels high-performance businesses. Additional information can be found at [www.juniper.net](http://www.juniper.net).



---

**Corporate and Sales Headquarters**

Juniper Networks, Inc.  
1194 North Mathilda Avenue  
Sunnyvale, CA 94089 USA  
Phone: 888.JUNIPER (888.586.4737)  
or 408.745.2000  
Fax: 408.745.2100  
www.juniper.net

**APAC Headquarters**

Juniper Networks (Hong Kong)  
26/F, Cityplaza One  
1111 King's Road  
Taikoo Shing, Hong Kong  
Phone: 852.2332.3636  
Fax: 852.2574.7803

**EMEA Headquarters**

Juniper Networks Ireland  
Airside Business Park  
Swords, County Dublin, Ireland  
Phone: 35.31.8903.600  
EMEA Sales: 00800.4586.4737  
Fax: 35.31.8903.601

To purchase Juniper Networks solutions, please contact your Juniper Networks representative at 1-866-298-6428 or authorized reseller.

Copyright 2010 Juniper Networks, Inc. All rights reserved. Juniper Networks, the Juniper Networks logo, Junos, NetScreen, and ScreenOS are registered trademarks of Juniper Networks, Inc. in the United States and other countries. All other trademarks, service marks, registered marks, or registered service marks are the property of their respective owners. Juniper Networks assumes no responsibility for any inaccuracies in this document. Juniper Networks reserves the right to change, modify, transfer, or otherwise revise this publication without notice.