



# Cisco Aironet 2.4-GHz/5-GHz 8-dBi Directional Antenna (AIR-ANT2588P3M-N)

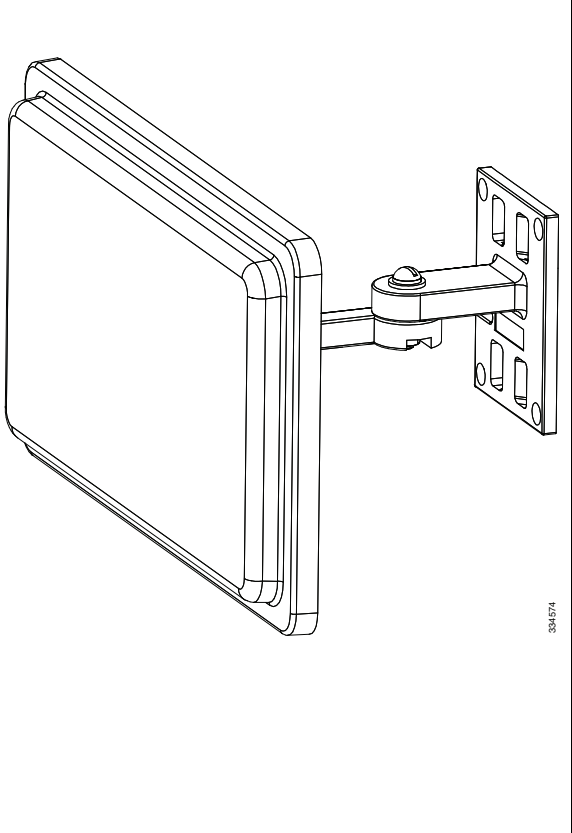
This describes the Cisco Aironet AIR-ANT2588P3M-N 2.4/5-GHz 8-dBi 3-port directional antenna with N-connectors, and provides specifications and mounting instructions. The antenna operates in both the 2.4 GHz and 5 GHz frequency bands and is designed for outdoor use.

These topics are discussed:

- [Technical Specifications, page 1](#)
- [Azimuth and Elevation Radiation Patterns, page 3](#)
- [System Requirements, page 4](#)
- [Safety Precautions, page 4](#)
- [Installation Guidelines, page 5](#)
- [Installing the Antenna, page 6](#)

## Technical Specifications

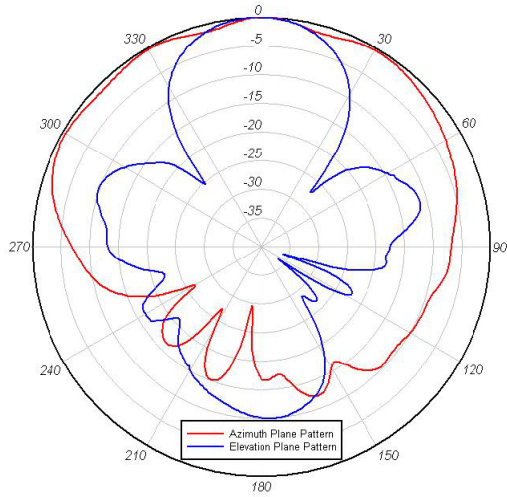
## Technical Specifications

|                                |                                |   |
|--------------------------------|--------------------------------|---|
| Antenna type                   | 3-element dual-polarized patch |  |
| Operating frequency range      | 2400-2500 MHz<br>5150-5900 MHz |   |
| Nominal input impedance        | 50 Ohms                        |   |
| VSWR                           | 2:1 or less                    |   |
| Peak gain                      | 8 dBi (both bands)             |   |
| Polarization                   | Linear, Dual                   |   |
| Elevation Plane 3-dB Beamwidth | 30°                            |   |
| Azimuth Plane 3-dB Beamwidth   | 120°                           |   |
| Sidelobe level                 | < -20 dBc                      |   |
| Front-to-back ratio            | > 10 dB                        |   |
| Length                         | 12 in. (30.48 cm)              |   |
| Width                          | 7 in. (17.78 cm)               |   |
| Height                         | 1.1 in. (2.79 cm)              |   |
| Weight                         | 16 oz. (0.45 kg)               |   |
| Connector type                 | N-Female Bulkhead (x3)         |   |
| Operating temperature range    | -40-131° F<br>(-40-55° C)      |   |
| Environment rating             | IP67                           |   |

Azimuth and Elevation Radiation Patterns

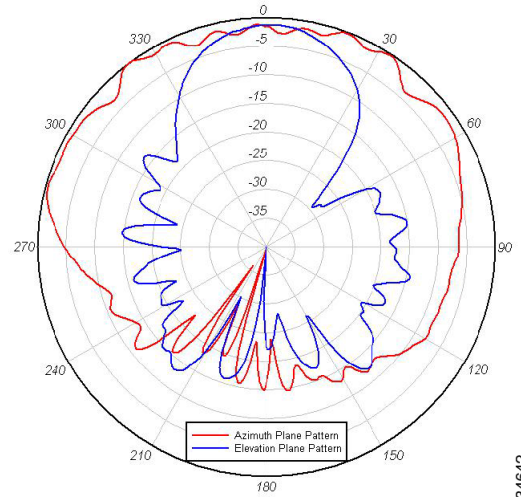
# Azimuth and Elevation Radiation Patterns

2.4 GHz Band - Horizontal Polarization



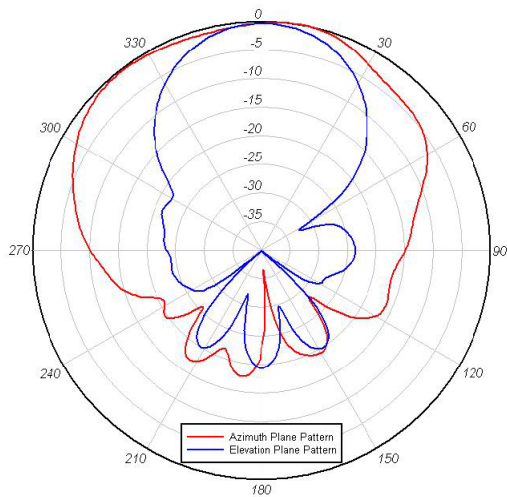
334641

5 GHz Band - Horizontal Polarization



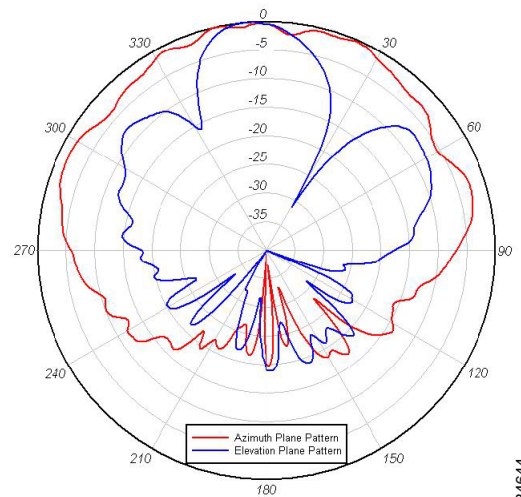
334642

2.4 GHz Band - Vertical Polarization



334643

5 GHz Band - Vertical Polarization



334644

## System Requirements

This antenna is designed for outdoor use with any Cisco Aironet access point that requires three (3) dual-band antennas.

## Safety Precautions

Translated versions of the following safety warnings are provided in the *Safety Warnings for Cisco Aironet Antennas*, which is available at <http://www.cisco.com>.

**Warning: Installation of this antenna near power lines is dangerous. For your safety, follow the installation directions.**

**Warning: This warning symbol means danger. You are in a situation that could cause bodily injury. Before you work on any equipment, be aware of the hazards involved with electrical circuitry and be familiar with standard practices for preventing accidents.**

**Warning: In order to comply with international radio frequency (RF) exposure limits, dish antennas should be located at a minimum of 8.7 inches (22 cm) or more from the bodies of all persons. Other antennas should be located a minimum of 7.9 inches (20 cm) or more from the bodies of all persons.**

**Warning: Do not work on the system or connect or disconnect cables during periods of lightning activity.**

**Warning: This equipment must be grounded. Never defeat the ground conductor or operate the equipment in the absence of a suitably installed ground conductor. Contact the appropriate electrical inspection authority or an electrician if you are uncertain that suitable grounding is available.**

**Warning: Do not locate the antenna near overhead power lines or other electric light or power circuits, or where it can come into contact with such circuits. When installing the antenna, take extreme care not to come into contact with such circuits, as they may cause serious injury or death. For proper installation and grounding of the antenna, please refer to national and local codes (e.g. U.S.:NFPA 70, National Electrical Code, Article 810, in Canada: Canadian Electrical Code, Section 54).**

Each year hundreds of people are killed or injured when attempting to install an antenna. In many of these cases, the victim was aware of the danger of electrocution but did not take adequate steps to avoid the hazard.

For your safety, and to help you achieve a good installation, please read and follow these safety precautions. **They may save your life!**

1. If you are installing an antenna for the first time, for your own safety as well as others, seek professional assistance. Your Cisco sales representative can explain which mounting method to use for the size and type antenna you are about to install.
2. Select your installation site with safety as well as performance in mind. Remember, electric power lines and phone lines look alike. For your safety, assume that any overhead line can kill you.
3. Call your electric power company. Tell them your plans and ask them to come look at your proposed installation. This is a small inconvenience considering your life is at stake.
4. Plan your installation carefully and completely before you begin. Successful raising of a mast or tower is largely a matter of coordination. Each person should be assigned a specific task and should know what to do and when to do it. One person should be in charge of the operation to issue instructions and watch for signs of trouble.
5. When installing your antenna, remember:
  - a. **Do not** use a metal ladder.
  - b. **Do not** work on a wet or windy day.
  - c. **Do** dress properly: wear shoes with rubber soles and heels, rubber gloves, long sleeved shirt or jacket.

## Installation Guidelines

6. If the assembly starts to drop, get away from it and let it fall. Remember, the antenna, mast, cable, and metal guy wires are all excellent conductors of electrical current. Even the slightest touch of any of these parts to a power line completes an electrical path through the antenna and the installer: **You!**
7. If any part of the antenna system should come in contact with a power line, **do not touch it or try to remove it yourself. Call your local power company.** They will remove it safely.
8. If an accident occurs with the power lines, call for qualified emergency help immediately.

## Installation Guidelines

Because the antennas transmit and receive radio signals, they are susceptible to RF obstructions and common sources of interference that can reduce throughput and range of the device to which they are connected. Follow these guidelines to ensure the best possible performance:

- Mount the antenna as high as possible to take advantage of its propagation characteristics.
- Keep the antenna away from metal obstructions such as heating and air-conditioning ducts, large ceiling trusses, building superstructures, and major power cabling runs. If necessary, use a rigid conduit to lower the antenna away from these obstructions.
- The density of the materials used in a building's construction determines the number of walls the signal must pass through and still maintain adequate coverage. Consider the following before choosing the location in which to install your antenna:
  - Paper and vinyl walls have very little affect on signal penetration.
  - Solid and pre-cast concrete walls limit signal penetration to one or two walls without degrading coverage.
  - Concrete and wood block walls limit signal penetration to three or four walls.
  - A signal can penetrate five or six walls constructed of drywall or wood.
  - A thick metal wall causes signals to reflect, causing poor penetration.
- Install the antenna away from 5 GHz cordless phones. These products can cause signal interference because they operate in the same frequency range as the device your antenna is connected to.

## Site Selection

Before attempting to install your antenna, determine where you can best place the antenna for safety and performance.

To determine a safe distance from wires, power lines, and trees:

1. Measure the height of your antenna.
2. Add this length to the length of your tower or mast and then double this total for the minimum recommended safe distance.

**Caution:** If you are unable to maintain this safe distance, stop and get professional help.

Generally, the higher an antenna is above the ground, the better it performs. Good practice is to install your antenna about 5 to 10 ft (1.5 to 3 m) above the roof line and away from all power lines and obstructions. If possible, find a mounting place directly above your wireless device so that the lead-in cable can be as short as possible.

## Installing the Antenna

You can install the antenna on a pole from 1.63" to 2.3" pipe O.D. The mounting options allow the antenna to be vertically or horizontally polarized.

### Tools and Equipment Required

- Antenna mount bracket
- Elevation adjustable bracket
- Azimuth adjustable bracket
- Two 1/4 in. 20 azimuth and elevation adjustment bolts and nuts with 1/4 in. flat washers and lock washers
- Two pipe clamps

The following tools and equipment are not provided:

- 5/16 in wrench
- 1/4 in flat head screwdriver
- 5/16 in nut driver or flat head screwdriver for pipe clamps

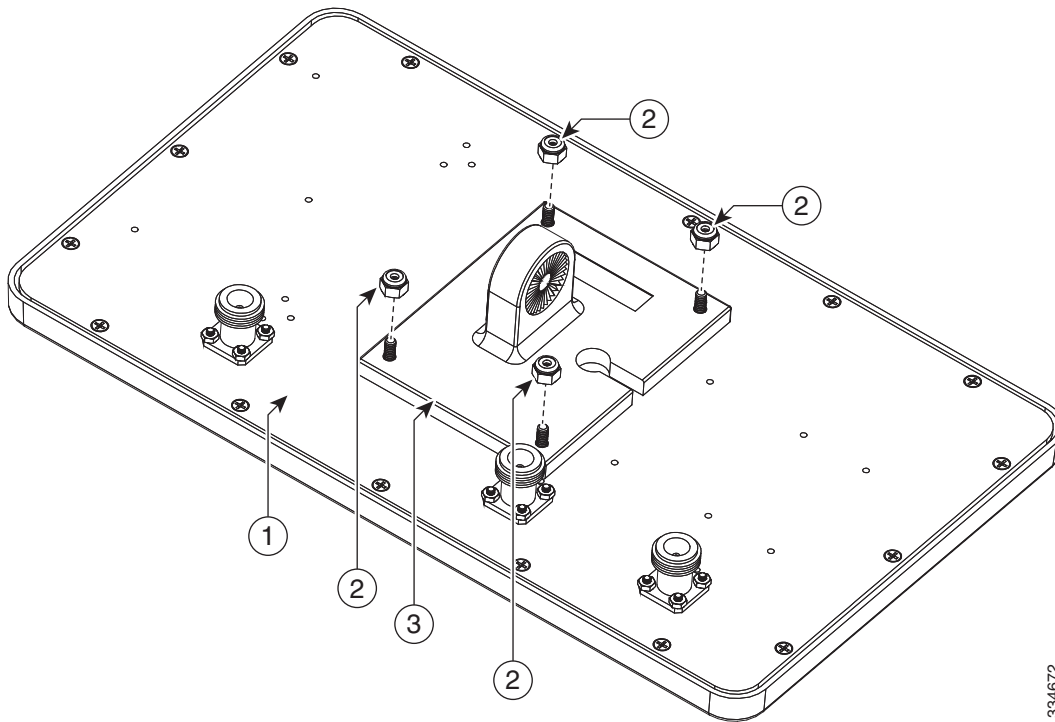
### Mounting on a Pole

To mount your antenna on a pole:

1. Remove antenna and mount kit from packaging.
2. Attach antenna mount bracket to the back of the antenna as shown applying a maximum nut-tightening torque of 12 in lbf (1.1 Nm).

Installing the Antenna

**Figure 1 Attaching Antenna Mount Bracket**



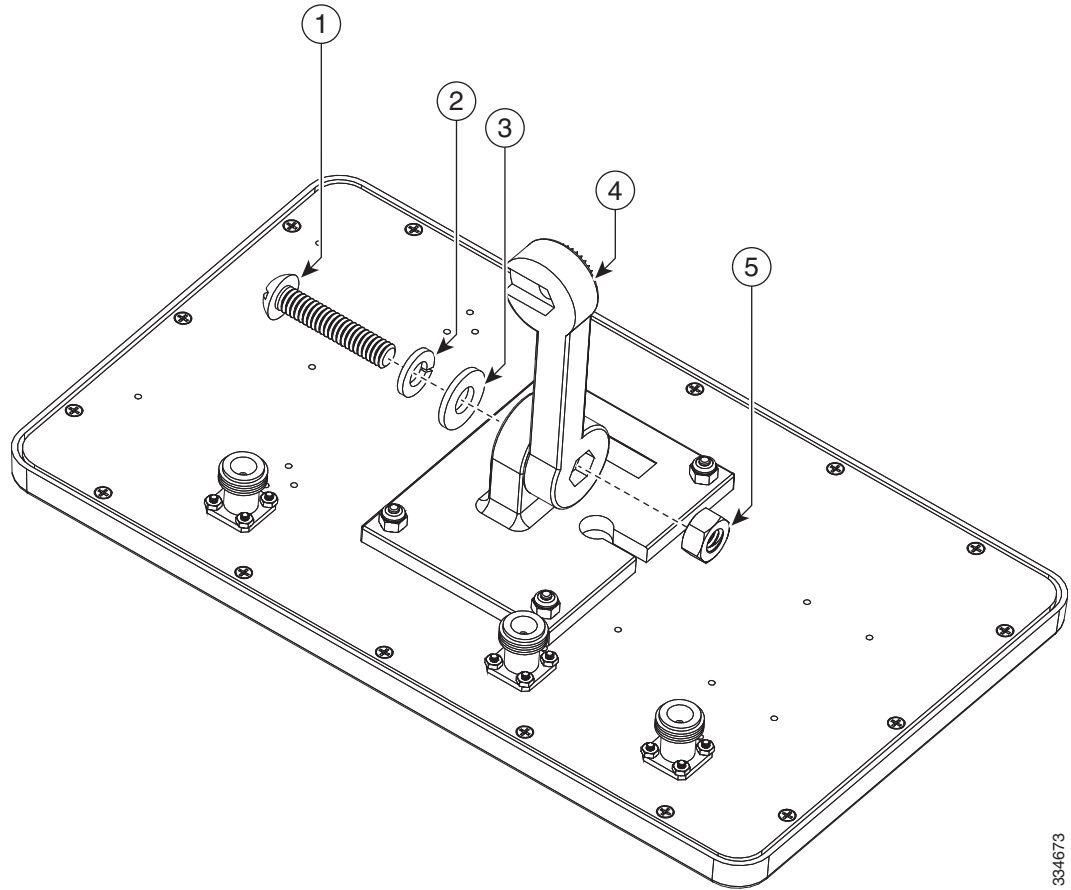
- 1 Antenna
- 2 Stud nut

- 3 Antenna mount bracket

3. Attach elevation adjustable bracket as shown and loosely secure hardware.

334672

**Figure 2 Attach elevation adjustable bracket**



334673

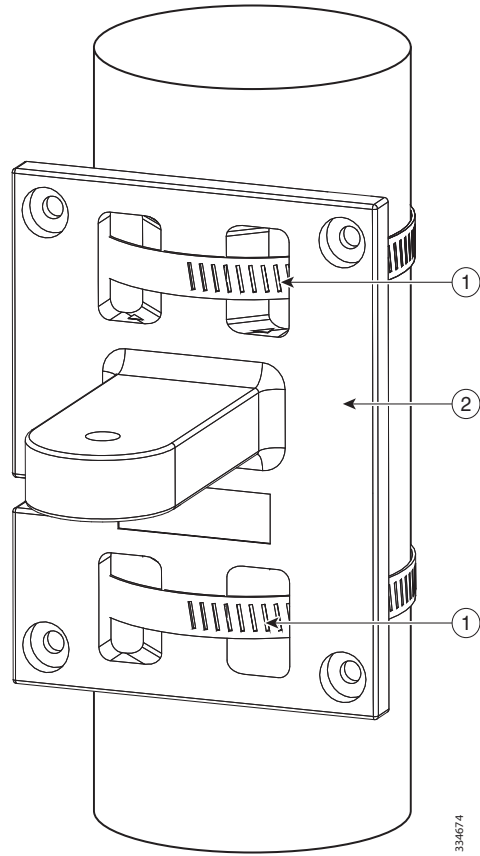
- |                             |                                |
|-----------------------------|--------------------------------|
| 1 Elevation adjustable bolt | 4 Elevation adjustable bracket |
| 2 Lock washer               | 5 Hex nut                      |
| 3 1/4-in. flat washer       |                                |

**4.** Attach azimuth adjustable bracket to pipe routing band clamps as shown. Tighten the pipe clamps to a torque of 35–45 in lbf (4.0–5.1 Nm).



Installing the Antenna

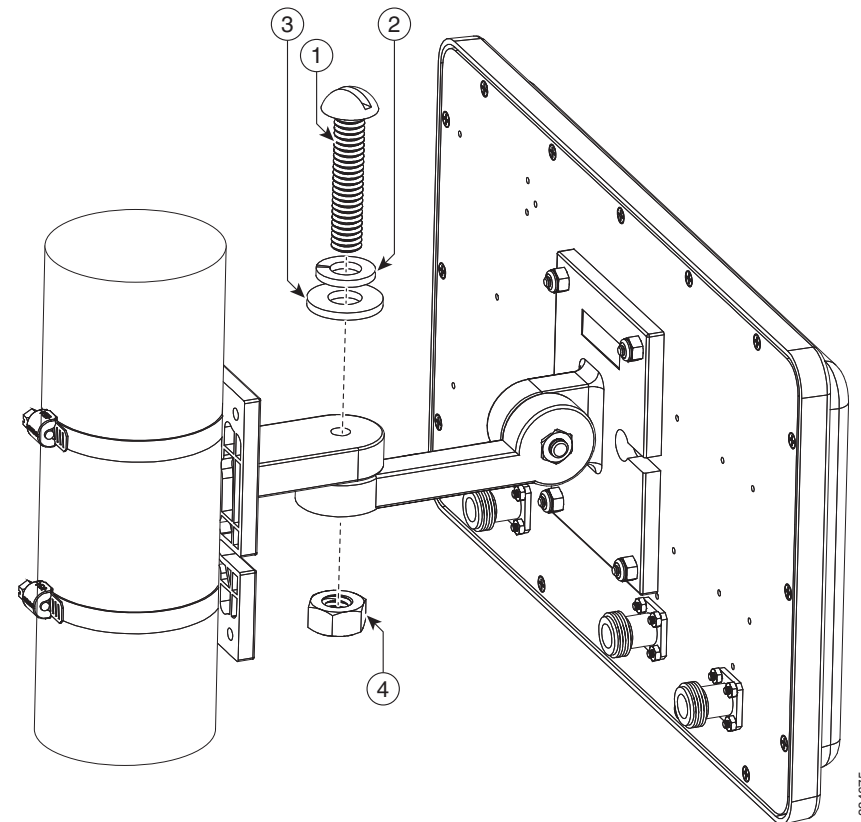
**Figure 3 Attaching Azimuth Adjustable Bracket**



1 Pipe clamps

2 Azimuth adjustable bracket

5. Attach the antenna assembly to the azimuth adjustable bracket on pipe.

**Figure 4 Attaching Antenna Assembly**

- |   |                         |   |                     |
|---|-------------------------|---|---------------------|
| 1 | Azimuth adjustment bolt | 3 | 1/4-in. flat washer |
| 2 | Lock washer             | 4 | Hex nut             |

- Adjust the position of the antenna to the desired azimuth and elevation angles and tighten all pivot hardware (2 places) to a maximum torque of 30 in-lbf (3.4 Nm). The bracket allows the antenna position to be adjustable to  $\pm 45$  degrees azimuth and  $\pm 60$  degrees elevation.

**Note:** Cisco recommends grounding the antenna. See [Grounding the Antenna](#), page 12.

## Mounting on a Vertical Surface

The antenna can be wall mounted. Hardware is not included for wall-mount installation.

To mount your antenna on a vertical surface:

- Remove antenna and mount kit from packaging.
- Attach antenna mount bracket to the back of the antenna as shown in [Figure 1](#), applying a maximum nut-tightening torque of 12 in. lbf (1.1 Nm).
- Attach elevation adjustable bracket as shown in [Figure 2](#) and loosely secure hardware.
- Using the appropriate customer-supplied anchors and screws, attach the azimuth adjustable bracket to the wall as shown:

Installing the Antenna

**Figure 5 Wall Mounting**

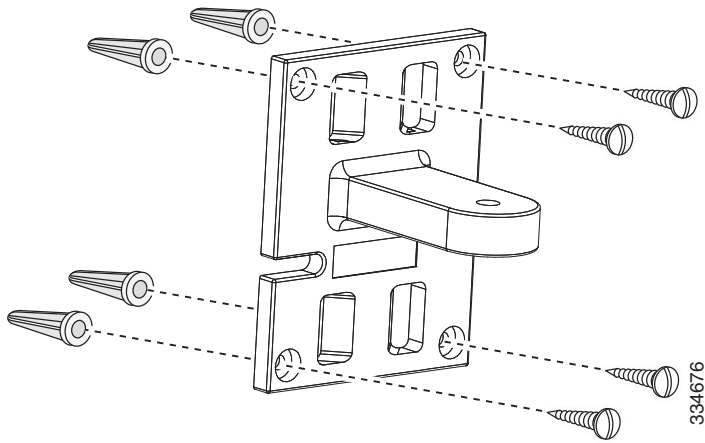
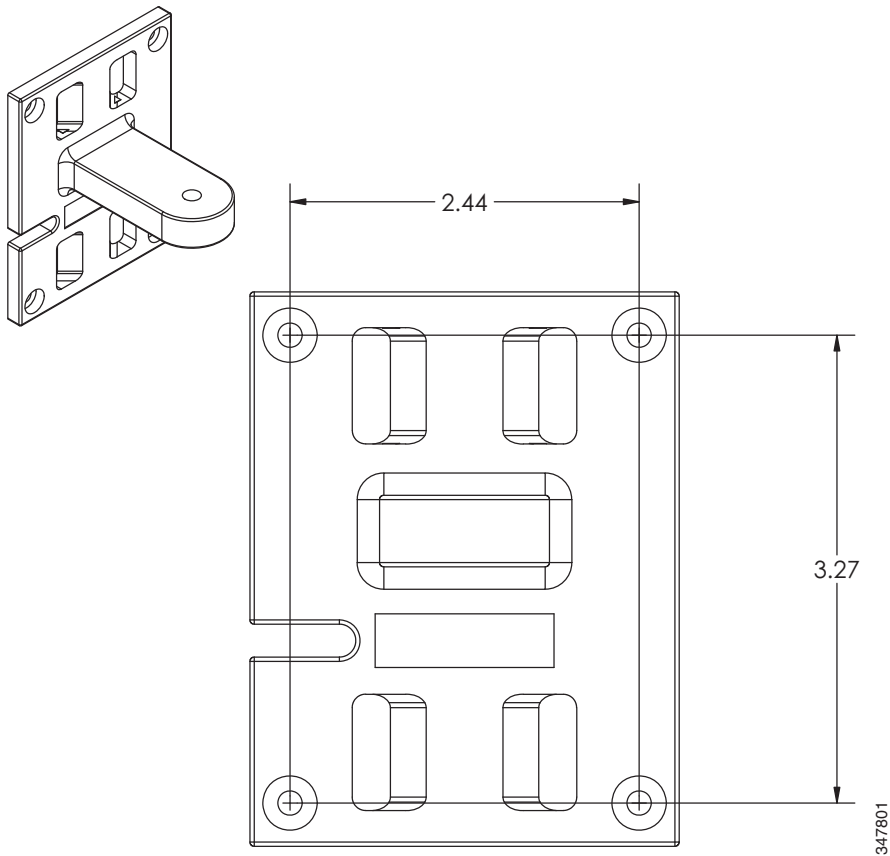


Figure 6 shows, in inches, the distance between the bracket mounting holes.

**Figure 6 Distance Between Bracket Mounting Holes**



5. Attach antenna assembly to azimuth bracket, as shown in [Figure 4](#).
6. Adjust the position of the antenna to the desired azimuth and elevation angles and tighten all pivot hardware (two places) to a maximum torque of 30 in. lbf (3.4 Nm). The bracket allows the antenna position to be adjustable to +/-45 degrees azimuth and +/-60 degrees elevation.

**Note:** Cisco recommends grounding the antenna. See [Grounding the Antenna, page 12](#).

## Antenna Cable Information

The antenna is to be used with the Cisco 1552E access point. The port-to-port designations are as follows: port A of the antenna must be connected to port 4 of the access point, port B of the antenna must be connected to port 6 of the access point, and port C of the antenna must be connected to port 5 of the access point.

**Note:** Coaxial cable loses efficiency as the frequency increases, resulting in signal loss. The cable should be kept as short as possible, because cable length also determines the amount of signal loss (the longer the run, the greater the loss).

Cisco offers low-loss 5 ft. and 10 ft. coaxial cables, parts AIR-CAB005LL-N and AIR-CAB010LL-N, respectively, for connection from the antenna to the access point. These cables have one straight male type-N connector and one right angle male type-N connector. To use all of the ports on the AIR-ANT2588P3M-N three cables will be needed.

After the cable is attached to the antenna, make sure that the connections are sealed (if outdoors) to prevent moisture and other weathering elements from affecting performance. Cisco recommends using a coax seal (such as CoaxSeal) for outdoor connections. Silicone sealant or electrical tape are **not** recommended for sealing outdoor connections.

## Grounding the Antenna

Follow these steps to ground the antenna in accordance with national electrical code instructions.

1. Use No. 10 AWG copper or No. 8 or larger copper-clad steel or bronze wire as ground wires for both mast and lead-in. Securely clamp the wire to the bottom of the mast.
2. Secure the lead-in wire to an antenna discharge unit and the mast ground wire to the building with stand-off insulators spaced from 4 ft (1.2 m) to 8 ft (2.4 m) apart.
3. Mount the antenna discharge unit as close as possible to where the lead-in wire enters the building.
4. Drill a hole in the building's wall as close as possible to the equipment to which you will connect the lead-in cable.  
**Caution:** There may be wires in the wall. Ensure that your drilling location is clear of obstruction or other hazards.
5. Pull the cable through the hole and form a drip loop close to where it enters the building.
6. Thoroughly waterproof the lead-in area.
7. Install a lightning arrestor.
8. Connect the lead-in cable to the equipment.

## Communications, Services, and Additional Information

- To receive timely, relevant information from Cisco, sign up at [Cisco Profile Manager](#).
- To get the business impact you're looking for with the technologies that matter, visit [Cisco Services](#).
- To submit a service request, visit [Cisco Support](#).
- To discover and browse secure, validated enterprise-class apps, products, solutions and services, visit [Cisco Marketplace](#).
- To obtain general networking, training, and certification titles, visit [Cisco Press](#).
- To find warranty information for a specific product or product family, access [Cisco Warranty Finder](#).

## Cisco Bug Search Tool

[Cisco Bug Search Tool](#) (BST) is a web-based tool that acts as a gateway to the Cisco bug tracking system that maintains a comprehensive list of defects and vulnerabilities in Cisco products and software. BST provides you with detailed defect information about your products and software.

THE SPECIFICATIONS AND INFORMATION REGARDING THE PRODUCTS IN THIS MANUAL ARE SUBJECT TO CHANGE WITHOUT NOTICE. ALL STATEMENTS, INFORMATION, AND RECOMMENDATIONS IN THIS MANUAL ARE BELIEVED TO BE ACCURATE BUT ARE PRESENTED WITHOUT WARRANTY OF ANY KIND, EXPRESS OR IMPLIED. USERS MUST TAKE FULL RESPONSIBILITY FOR THEIR APPLICATION OF ANY PRODUCTS.

THE SOFTWARE LICENSE AND LIMITED WARRANTY FOR THE ACCOMPANYING PRODUCT ARE INCORPORATED HEREIN BY THIS REFERENCE. IF YOU ARE UNABLE TO LOCATE THE SOFTWARE LICENSE OR LIMITED WARRANTY, CONTACT YOUR CISCO REPRESENTATIVE FOR A COPY.

The following information is for FCC compliance of Class A devices: This equipment has been tested and found to comply with the limits for a Class A digital device, pursuant to part 15 of the FCC rules. These limits are designed to provide reasonable protection against harmful interference when the equipment is operated in a commercial environment. This equipment generates, uses, and can radiate radio-frequency energy and, if not installed and used in accordance with the instruction manual, may cause harmful interference to radio communications. Operation of this equipment in a residential area is likely to cause harmful interference, in which case users will be required to correct the interference at their own expense.

The following information is for FCC compliance of Class B devices: This equipment has been tested and found to comply with the limits for a Class B digital device, pursuant to part 15 of the FCC rules. These limits are designed to provide reasonable protection against harmful interference in a residential installation. This equipment generates, uses and can radiate radio frequency energy and, if not installed and used in accordance with the instructions, may cause harmful interference to radio communications. However, there is no guarantee that interference will not occur in a particular installation. If the equipment causes interference to radio or television reception, which can be determined by turning the equipment off and on, users are encouraged to try to correct the interference by using one or more of the following measures:

- Reorient or relocate the receiving antenna.
- Increase the separation between the equipment and receiver.
- Connect the equipment into an outlet on a circuit different from that to which the receiver is connected.
- Consult the dealer or an experienced radio/TV technician for help.

Modifications to this product not authorized by Cisco could void the FCC approval and negate your authority to operate the product.

The Cisco implementation of TCP header compression is an adaptation of a program developed by the University of California, Berkeley (UCB) as part of UCB's public domain version of the UNIX operating system. All rights reserved. Copyright © 1981, Regents of the University of California.

NOTWITHSTANDING ANY OTHER WARRANTY HEREIN, ALL DOCUMENT FILES AND SOFTWARE OF THESE SUPPLIERS ARE PROVIDED "AS IS" WITH ALL FAULTS. CISCO AND THE ABOVE-NAMED SUPPLIERS DISCLAIM ALL WARRANTIES, EXPRESSED OR IMPLIED, INCLUDING, WITHOUT LIMITATION, THOSE OF MERCHANTABILITY, FITNESS FOR A PARTICULAR PURPOSE AND NONINFRINGEMENT OR ARISING FROM A COURSE OF DEALING, USAGE, OR TRADE PRACTICE.

IN NO EVENT SHALL CISCO OR ITS SUPPLIERS BE LIABLE FOR ANY INDIRECT, SPECIAL, CONSEQUENTIAL, OR INCIDENTAL DAMAGES, INCLUDING, WITHOUT LIMITATION, LOST PROFITS OR LOSS OR DAMAGE TO DATA ARISING OUT OF THE USE OR INABILITY TO USE THIS MANUAL, EVEN IF CISCO OR ITS SUPPLIERS HAVE BEEN ADVISED OF THE POSSIBILITY OF SUCH DAMAGES.

Any Internet Protocol (IP) addresses and phone numbers used in this document are not intended to be actual addresses and phone numbers. Any examples, command display output, network topology diagrams, and other figures included in the document are shown for illustrative purposes only. Any use of actual IP addresses or phone numbers in illustrative content is unintentional and coincidental.

All printed copies and duplicate soft copies of this document are considered uncontrolled. See the current online version for the latest version.

Cisco has more than 200 offices worldwide. Addresses, phone numbers, and fax numbers are listed on the Cisco website at [www.cisco.com/go/offices](http://www.cisco.com/go/offices).

© 2019 Cisco Systems, Inc. All rights reserved.