

Product Highlights

Power over Ethernet plus 25/100G

720XP-96ZC2

- 80 x mGig (100M - 2.5Gb) RJ45 @ 60W
- 16 x mGig (100M - 5Gb) RJ45 @ 60W
- Uplinks: 4x 25G, 2x 100G

720XP-48ZC2

- 40 x mGig (100M - 2.5Gb) RJ45 @ 30W
- 8 x mGig (100M - 5Gb) RJ45 @ 60W
- Uplinks: 4x 25G, 2x 100G

720XP-24ZY4

- 16 x mGig (100M - 2.5Gb) RJ45 @ 30W
- 8x mGig (100M - 5Gb) RJ45 @ 60W
- Uplinks: 4x 25G

720XP-48Y6

- 48 x 10M-1GbE RJ45 @ 30W
- Uplinks: 6x 25G

720XP-24Y6

- 24x 10M-1GbE RJ45 @ 30W
- Uplinks: 6x 25G

Segmentation and overlay

- 4096 802.1Q VLANs
- IPv4/v6 VRFs
- 16.7 Million VXLAN networks
- EVPN L2/3 (type 2/5)

Traffic and Flow Monitoring

- Hardware accelerated monitoring
- sFlow and IPFIX
- FlowTracker to inventory devices and monitor conversations

Cognitive Campus Resilience

- N+1 redundant power/cooling
- Active/Active MLAG aggregation
- Dynamic uplink load balancing
- ISSU for software upgrades and hitless patching

Arista Extensible Operating System (EOS®)

- Single binary image
- Fine-grained truly modular network OS
- Stateful Fault Containment (SFC)
- Stateful Fault Repair (SFR)
- Full access to Linux shell and tools
- Extensible platform - bash, python, C++, GO, OpenConfig

Overview

The Arista Cognitive Campus 720XP series switches deliver wirespeed connectivity and power for all campus user workloads, under the management and monitoring of Arista Cognitive Campus Services. The suite of platforms offer a variety of connection options for user desktops, PoE appliances and IoT devices. Managed 802.3af/at/bt power services deliver up to 60W per RJ45 port, with speed options ranging from 10Mbps to 5Gbps. Modular SFP+ and QSFP+ uplinks support speeds from 1Gbps to 100Gbps delivering network design flexibility and scalability.



Arista's common binary EOS provides a comprehensive, standards based, layer 2 and 3 feature set that includes EVPN virtualization and QoS services. EOS supports standards based 802.1X access control, and LLDP device identification services to automate admission and segmentation of users, appliances, plus all mission critical voice, video and general purpose applications in the campus. Together, Arista's family of switching and WiFi platforms are managed through a single Cognitive Campus management plane in CloudVision, providing sub-second real time telemetry, database archival and automated analytics to manage and monitor the infrastructure, users and applications in the Campus-Cloud Network.

Cognitive Campus

The Cognitive Management Plane (CMP) in Arista's EOS provides rich control and telemetry APIs used to simplify and automate the deployment, and maintenance of campus infrastructure while also providing real-time monitoring of campus users, applications and devices. As with all Arista platforms, EOS supports auto provisioning by way of Arista Zero Touch Provisioning (ZTP) to simplify device administration through CloudVision, or popular DevOps toolsets. In addition to legacy polling management, EOS CMP delivers real time telemetry to administrators using open GRPC/GNMI APIs used in OpenConfig, allowing administrators to create custom management tools.

Arista EOS

The Arista 720XP series runs the same Arista EOS software as all Arista products, simplifying network administration. Arista EOS is a modular switch operating system with a unique state sharing architecture that cleanly separates switch state from protocol processing and application logic. Built on top of a standard Linux kernel, all EOS processes run in their own protected memory space and exchange state through an in-memory database. This multi-process state sharing architecture provides the foundation for in-service-software updates and self-healing resiliency. With Arista EOS, advanced monitoring and automation capabilities such as Zero Touch Provisioning, VMTracer and Linux based tools can be run natively on the switch.

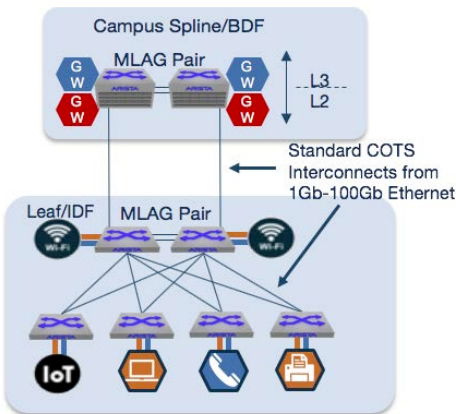
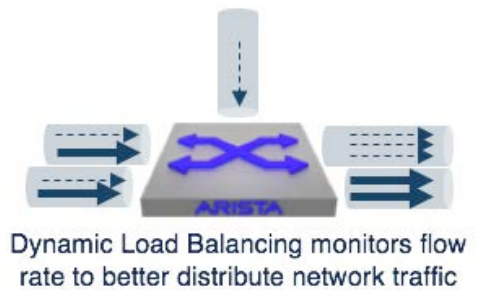
Driving the campus CMP (Cloud Management Plane) in the 720XP is the FlowTracker hardware telemetry feature (IPFIX), native in the 720XP series non-blocking switching processor. FlowTracker delivers real time updates for all device state, performance statistics, and application flows, without burdening other system functions. Over a thousand unique flows can be concurrently tracked per switch, with hardware support to scale to 32K flows. Device fingerprinting features are also supported, allowing the 720XP to identify connected device type, operating system and user id, helping facilitate security audits and workgroup/workload segmentation.



With the rich telemetry of the 720XP, Arista's CloudVision tracks application, user and device activity, measuring throughput and latency of key applications, user and device flows. CloudVision Device Analyzer (pictured above) baselines real time traffic to help alert administrators of performance or security outliers.

Customizable Topologies for Optimized Performance

As with all Arista devices, the 720XP switches support open, standards based, L2 MLAG and L3 ECMP load balancing features. Administrators can employ either scheme to deliver high availability load sharing at the core building, or intermediate distribution frame. The 720XP's Dynamic Load Balancing (DLB) feature improves on typical load sharing by dynamically tracking flow volumes and rebalancing them across shared links to optimize network utilization. DLB interoperates with other networking platforms, helping administrators improve the performance of their installed campus infrastructure.



The 720XP uses standard RJ45, SFP+ and QSFP+ interfaces for in closet and uplink interconnections, giving administrators the freedom to choose the right media type and speed that suits campus use cases and their budget. In addition to the variety of SFP+ and QSFP+ copper and fiber modules that support speeds from 1Gb-100Gb are the 10G/25G multi-rate SFP+ optical modules. These optics allow administrators to invest in 25Gb but still run in 10Gb mode while connected to legacy infrastructure, thus simplifying campus migrations and reduce CapEx.

Cognitive Segmentation

The 720XP series supports industry standard 802.1X and RADIUS authentication schemes, and interoperates with leading authentication solutions. Authorized users and devices can be automatically segmented into assigned 802.1Q or EVPN VXLAN segmented networks, facilitating infrastructure and data security. Wire-speed layer 3 VRF segmentation is also supported, giving administrators additional flexibility for supporting the most sophisticated campus use cases. The 720XP switches also help administrators with WiFi segmentation by providing hardware based VXLAN de-encapsulation of tunneled WiFi traffic.

CloudVision

CloudVision is a network-wide approach for workload orchestration and workflow automation packaged as a turnkey solution for Cloud Networking. CloudVision extends the EOS publish-subscribe architectural approach across the network for state, topology, monitoring and visibility. This enables enterprises to move to cloud-class automation without needing any significant internal development.

Cognitive PoE for Mission Critical Services

Power efficiency, flexible options, power prioritization and constant PoE allow the 720XP series switches to support critical campus services like video security and emergency communications. 802.3af, at and bt power options deliver from 15-60W to RJ45 ports. The 720XP's platinum rated power supplies, coupled with its low nominal consumption leaves an ample power budget for connected appliances and IoT devices. A choice of 650W or 1050W single or redundant AC power supply and 700W DC power supply options allow administrators to customize power allocation and redundancy to meet their use cases and budget.

Dynamic Power Management

Arista leverages state of the art switching and power management technology that not only delivers enhanced power delivery options supporting the latest standards, but does so more efficiently and reliably than standard PoE delivery, so administrators can support more devices cost effectively. Dynamic PoE management enhances power budgeting and allocation features to help economize power allocation to powered devices (PD) connected to each switch dynamically allocating PoE power based on priority settings. Load sharing Power Supplies allow customers to share a common PoE bank between the power supplies within a switch, optimizing unused power bank typically allocated for the board to power more PoE devices. Persistent PoE provides power to the powered device (PD) connected to a PoE port even when the Power Sourcing Equipment (PSE) is rebooting. With cognitive campus monitoring, power configuration and utilization are tracked in real time and archived, so administrators can accurately monitor and report service levels and infrastructure power demands.



*PWR-621-AC-RED and PWR-1021-AC-RED
(front to rear airflow)
PWR-721-DC-RED (front to rear airflow)*



*FAN-7000 (front to rear)
FAN-7012M-RED (front to rear airflow)*

Power supplies and Fans

Campus 720XP series switches support N+1 redundant power supplies. The 720XP 24/48 port switches ship with one or two power supply by default, and the second power supply can be purchased when the switch is ordered or at a later time. If only one power supply is installed, it should always be in power supply bay #1. The switches also ship with three field-replaceable fans. The 720XP 96 port switch ship with two or four power supplies by default, and the third and fourth power supply can be purchased when the switch is ordered or at a later time.

Power Supply Models	720XP-96ZC2	720XP-48ZC2	720XP-24ZY4	720XP-48Y6	720XP-24Y6
Default Power Supply	1050W	1050W	650W	1100W 700W (DC)	650W 700W (DC)
Available PoE Power	809W	873W	473W	873W	473W
With 650W secondary PS	2598W	1423W	723W	1423W	723W
With 1050W additional PS	3798W	1923W	1123W	1923W	1123W
With 700W DC secondary PS	NA	NA	NA	773W	773W

Specifications

Feature/Model	720XP-96ZC2	720XP-48ZC2	720XP-24ZY4	720XP-48Y6	720XP-24Y6
Ports	96 RJ45 4 25G SFP 2 100G QSFP	48 RJ45 4 25G SFP 2 100G QSFP	24 RJ45 4 25G SFP	48 RJ45 6 25G SFP	24 RJ45 6 25G SFP
10M-1G UTP (30W) ¹	N/A	N/A	N/A	48	24
100M-2.5G UTP (30W) ¹	0	40	16	N/A	N/A
100M-2.5G UTP (60W) ¹	80	0	0	0	0
100M-5G UTP (60W) ²	16	8	8	N/A	N/A
25G SFP	4	4	4	6	6
100G QSFP	2	2	N/A	N/A	N/A
Throughput	580Gbps	440Gbps	180Gbps	198Gbps	174Gbps
Packets/Second (2 way)	1.7Bpps	1.3Bpps	536Mpps	590Mpps	518Mpps
Latency (RJ-45)	1.2 microseconds				
CPU	Dual Core-x86				
System Memory	4GB				
System Flash	4GB				
Packet Buffer	12MB	6MB	6MB	6MB	6MB
USB Ports	1				
Console Ports	1				
100M/1G Management port	1				
Airflow	Front-Rear				
Power (Nom/Max ⁴ , excluding PoE)	245W/378W	164W/177W	164W/177W	164W/177W	164W/177W
Size (WxHxD)	44.5 x 8.8 x 40.5cm (19 x 3.46 x 15.9 inches)		1U 17.3" x 1.75" x 12.5" (48.3 x 4.4 x 31.75 cm)		
Weight	31 lb (14.1 kg)	15.6 lbs (7kg)	13.6 lbs (6.2kg)	15.3 lbs (6.9kg)	13.3 lbs (6kg)
Fans: 3 (N+1 redundant)	FAN-7012M-RED	FAN-7000-F	FAN-7000-F	FAN-7000-F	FAN-7000-F
Maximum Power Supply	4	2	2	2	2
Power Supply	PWR-1021-AC	PWR-1021-AC	PWR-621-AC	PWR-1021-AC PWR-721-DC	PWR-621-AC PWR-721-DC
EOS License Group	LIC-FIX-MG-xxx				
Minimum EOS	4.24(FX)	4.21	4.21	4.22 (FX)	4.22 (FX)

Arista 720XP-96ZC2

Provides:

- 80 x mGig (100M - 2.5Gb) RJ45 @ 60W
- 16 x mGig (100M - 5Gb) RJ45 @ 60W
- Uplinks: 4x 25G, 2x 100G
- 580Gbps switching bandwidth



Arista 720XP-48ZC2

Provides:

- 40 x mGig (100M - 2.5GbE) RJ45 @ 30W
- 8 x mGig (100M - 5GbE) RJ45 @ 60W
- Uplinks: 4 x 25G, 2 x 100G
- 440Gbps switching bandwidth



Arista 720XP-48Y6

Provides:

- 48 x 10M - 1GbE RJ45 @ 30W
- Uplinks: 6 x 25G
- 198Gbps switching bandwidth



Arista 720XP-24ZY4

Provides:

- 16 x mGig (100M - 2.5GbE) RJ45 @ 30W
- 8 x mGig (100M - 5GbE) RJ45 @ 60W
- Uplinks: 4 x 25G
- 180Gbps switching bandwidth



Arista 720XP-24Y6

Provides:

- 24 x 10M - 1GbE RJ45 @ 30W
- Uplinks: 6 x 25G
- 174Gbps switching bandwidth



Campus Overlay Scale

The 720XP series switches utilizes data center class virtualization features to provide hundreds of segmented networks to thousands of users and devices. In addition to 4K 802.1Q VLANs, the 720XP delivers 16.7 million VXLAN overlay networks with CVX and EVPN control plane support. The combination of virtualization scale plus the layer 2 and 3 hardware scale of the 720XP series ensures administrators can implement large segmented and secure campus networks with the ability to scale in the future.

Scaling Capabilities

Specifications:

All Platforms*

	Mode 0	Mode 1	Mode 2	Mode 3	Mode 4
MAC Addresses	112k	96k	64k	32k	16k
IPv4 Host Routes	16K	32k	64K	96k	16k
IPv4 LPM Routes	16K	16K	16K	16K	144K
IPv6 LPM Routes	8K	8K	8K	8K	72K
IGMP Groups			4K		
IPv4 Multicast Groups			8K		
ACL Entries (Ingress/Egress)			9K/1K		

*User modes includes per table customizable option

Layer 2 Features

- 802.1w Rapid Spanning Tree
- 802.1s Multiple Spanning Tree Protocol
- Rapid Per VLAN Spanning Tree (RPVST+)
- 4096 VLANs
- Q-in-Q
- 802.3ad Link Aggregation/LACP
 - 64 Ports / Channel
 - 224 groups per system
- MLAG (Multi-Chassis Link Aggregation)
 - Uses IEEE 802.3ad LACP
 - 128 ports per MLAG
- 802.1Q VLANs/Trunking
- 802.1AB Link Layer Discovery Protocol
- 802.3x Flow Control
- Jumbo Frames (9216 Bytes)
- IGMP v1/v2/v3 snooping
- Storm Control
- 802.1 AVB *
- SMPTE-2059-2 *
- VXLAN Tunnel Virtual Port Termination: 4K

Layer 3 Features

- Routing Protocols: OSPF, OSPFv3, BGP, MP-BGP, IS-IS, and RIPv2
- 64-way Equal Cost Multi-path Routing (ECMP)
- Resilient ECMP Routes
- VRF
- Bi-Directional Forwarding Detection (BFD)
- Route Maps
- IGMP v2/v3
- PIM-SM / PIM-SSM * / PIM-BiDiR
- Anycast RP (RFC 4610)
- VRRP
- Virtual ARP (VARP)
- Policy Based Routing (PBR)
- Unicast Reverse Path Forwarding (uRPF)
- GRE IP Decap
- Selective Route Download

Advanced Monitoring and Provisioning

- Latency Analyzer and Microburst Detection (LANZ)
- Configurable Congestion Notification (CLI, Syslog) *
- Streaming Events (GPB Encoded) *
- Capture/Mirror of congested traffic *
- Zero Touch Provisioning (ZTP)
- Integrated packet capture/analysis with TCPDump
- Advanced Mirroring - Port Mirroring (16 sessions)
 - Enhanced Remote Port Mirroring
 - Port Mirroring (4 active sessions)
 - L2/3/4 Filtering on Mirror Sessions
- Advanced Event Management suite (AEM)
 - CLI Scheduler
 - Event Manager

- Event Monitor
- Linux tools
- FlowTracker features
- RFC 3176 sFlow
- IPFIX support
- Restore & configure from USB
- Software Defined Networking (SDN)
 - Openflow 1.0 *
 - Openflow 1.3 *
 - Arista DirectFlow
 - eAPI
 - OpenStack Neutron Support
- IEEE 1588 PTP (Transparent Clock and Boundary Clock)

Virtualization Support

- VXLAN Routing and Bridging
 - EOS CVX control plane
 - EVPN type 2 and type 5

Security Features

- PDP
- Service ACLs
- Control Plane Protection (CPP)
- Ingress / Egress ACLs using L2, L3, L4 fields
- Ingress / Egress ACL Logging and Counters
- MAC ACLs
- 802.1X Enhancements
 - Multi-Host 802.1X AUTH
 - MAC-Based AUTH (MAB)
 - Dynamic VLAN assignment
 - Named VLAN support
- ACL Deny Logging
- ACL Counters
- Atomic ACL Hitless restart
- DHCP Relay
- MAC access list security
- TACACS+
- RADIUS
- ARP trapping and rate limiting

Quality of Service (QoS) Features

- Up to 8 queues per port
- 802.1p based classification
- DSCP based classification and remarking
- Explicit Congestion Notification (ECN)
- QoS interface trust (COS / DSCP)
- Strict priority queueing
- Weighted Round Robin (WRR) Scheduling
 - Per-Priority Flow Control (PFC)
- ACL based DSCP Marking
- ACL based Policing
- Policing/Shaping
- Rate limiting

* Not currently supported in EOS

PoE Capabilities

- LLDP enhancements for PoE including Media Endpoint Discovery (MED) attributes reporting
- PoE Controls
- VLAN for VoIP, QoS

Network Management

- CloudVision
- Configuration rollback and commit
- 100/1000 Management Port
- RS-232 Serial Console Port
- USB Port
- SNMP v1, v2, v3
- Management over IPv6
- Telnet and SSHv2
- Syslog
- AAA
- Industry Standard CLI
- Beacon LED for system identification
- System Logging
- Environment monitoring
- MLAG ISSU
- Maintenance mode

Extensibility

- Linux Tools
 - Bash shell access and scripting
 - RPM support
 - Custom kernel modules
- Programmatic access to system state
 - Python
 - C++
 - Go
- Native KVM/QEMU support

Standard Compliance

- 802.1D Bridging and Spanning Tree
- 802.1p QOS/COS
- 802.1Q VLAN Tagging
- 802.1w Rapid Spanning Tree
- 802.1s Multiple Spanning Tree Protocol
- 802.1AB Link Layer Discovery Protocol
- 802.3ad Link Aggregation with LACP
- 802.3az Energy Efficient Ethernet (EEE) *
- 802.3x Flow Control
- 802.3u 100BASE-TX
- 802.3ab 1000BASE-T
- 802.3z 1000BASE-X
- 802.3ae 10 Gigabit Ethernet
- 802.3af/at 15W/30W Power over Ethernet (PoE)
- 802.3bt 60W Power over Ethernet (PoE)

- 802.3by 25 Gigabit Ethernet
- 802.3ba 40 Gigabit Ethernet
- 802.3ba 100 Gigabit Ethernet
- RFC 2460 Internet Protocol, Version 6 (IPv6) Specification
- RFC 2461 Neighbor Discovery for IP Version 6 (IPv6)
- RFC 2462 IPv6 Stateless Address Auto-configuration
- RFC 2463 Internet Control Message Protocol (ICMPv6) for the Internet Protocol Version 6 (IPv6) Specification
- IEEE 1588-2008 Precision Time Protocol

SNMP

- RFC 3635 EtherLike-MIB
- RFC 3418 SNMPv2-MIB
- RFC 2863 IF-MIB
- RFC 2864 IF-INVERTED-STACK-MIB
- RFC 2096 IP-FORWARD-MIB
- RFC 4363 Q-BRIDGE-MIB
- RFC 4188 BRIDGE-MIB
- RFC 2013 UDP-MIB
- RFC 2012 TCP-MIB
- RFC 2011 IP-MIB
- RFC 2790 HOST-RESOURCES-MIB
- RFC 3636 MAU-MIB
- RMON-MIB
- RMON2-MIB
- HC-RMON-MIB
- LLDP-MIB
- LLDP-EXT-DOT1-MIB
- LLDP-EXT-DOT3-MIB
- ENTITY-MIB
- ENTITY-SENSOR-MIB
- ENTITY-STATE-MIB
- ARISTA-ACL-MIB
- ARISTA-QUEUE-MIB
- RFC 4273 BGP4-MIB
- RFC 4750 OSPF-MIB
- ARISTA-CONFIG-MAN-MIB
- ARISTA-REDUNDANCY-MIB
- RFC 2787 VRRPv2MIB
- MSDP-MIB
- PIM-MIB
- IGMP-MIB
- IPMROUTE-STD-MIB
- SNMP Authentication Failure trap
- ENTITY-SENSOR-MIB support for DOM (Digital Optical Monitoring)
- User configurable custom OIDs

See EOS release notes for Supported MIBs

*Not currently supported in EOS

Supported Optics and Cables

Interface Type	40/100G QSFP Ports	10G	10G
10GBASE-CR	0.5m-5m QSFP+ to 4x SFP+	10GBASE-CR	SFP+ to SFP+: 0.5m-5m
40GBASE-CR4	0.5m to 5m QSFP+ to QSFP+	10GBASE-AOC	SFP+ to SFP+: 3m-30m
40GBASE-AOC	3m to 100m	10GBASE-T	100m
40GBASE-UNIV	150m (OM3) /150m (OM4) /500m (SM)	10GBASE-SRL	100m
40GBASE-SRBD	100m (OM3) /150m (OM4)	10GBASE-SR	300m
40GBASE-SR4	100m (OM3) /150m (OM4)	10GBASE-LRL	1km
40GBASE-XSR4	300m (OM3) /400m (OM4)	10GBASE-LR	10km
40GBASE-PLRL4	1km (1km 4x10G LR/LRL)	10GBASE-ER	40km
40GBASE-LRL4	1km	10GBASE-ZR	80km
40GBASE-PLR4	10km (10km 4x10G LR/LRL)	10GBASE-DWDM	80km
40GBASE-LR4	10km	100Mb TX, 1GbE SX/LX/TX	Yes
40GBASE-ER4	40km		
100G	100G	25G	25G
100GBASE-SR4	70m OM3 / 100m OM4 Parallel MMF	25GBASE-CR	QSFP to SFP+: 1m-3m lengths
100GBASE-SWDM4	70m OM3 / 100m OM4 Duplex MMF	25GBASE-AOC	SFP+ to SFP+: 3m-30m
100GBASE-SRBD	70m OM3 / 100m OM4 Duplex MMF	25G-MR-SR (10/25G Multi)	70m
100GBASE-LR4	10km SM Duplex	25GBASE-SR	70m
100GBASE-LRL4	2km SM Duplex	25G-MR-LR (10/25G Multi)	10km
100GBASE-CWDM4	2km SM Duplex	25GBASE-LR	10km
100GBASE-XCWDM4	10km SM Duplex		
100GBASE-PSM4	500m SM Parallel		
100GBASE-AOC	1m to 30m		
100GBASE-ERL4	40km SM Duplex		
100GBASE-CR4	QSFP to QSFP: 1m to 5m		

Environmental Characteristics

Operating Temperature	0 to 40C (32 to 104F)
Storage Temperature	-40 to 70C (-40 to 158F)
Relative Humidity	5 to 95%
Operating Altitude	0 to 10,000 ft, (0-3,000m)
Measured sound (ISO 7779) declared (ISO 9296) at 50% & 100% power	Lwa (dB) 57.59/68.17 (1RU) Lwa(dB)(2RU)

Emissions and Safety Compliance

EMC Emissions	FCC, EN55022, EN61000-3-2, EN61000-3-3 or EN61000-3-11, EN61000-3-12 (as applicable)
Immunity	EN55024 Emissions and Immunity: EN300 386
Safety	UL/CSA 60950-1, EN 60950-1, IEC 60950-1 CB Scheme with all country differences
Certifications	North America (NRTL) European Union (EU) BSMI (Taiwan) C-Tick (Australia) CCC (PRC) MSIP (Korea) EAC (Customs Union) VCCI (Japan)
European Union Directives	2006/95/EC Low Voltage Directive 2004/108/EC EMC Directive 2011/65/EU RoHS Directive 2012/19/EU WEEE Directive

Power Supply Specifications

Power Supply	PWR-721-DC-RED	PWR-621-AC-RED	PWR-1021-AC-RED
Output Power	700W	650W	1050W
Input Voltage	100-240AC		
Input Current	8 - 3.5A		12 - 5A
Input Frequency	50-60Hz		
Input Connector	IEC-320-C16		
Efficiency	80+ Platinum		

Product Number	Product Description (check with price list on description)
CCS-720XP-96ZC2-4F	Arista 720XP, 96 x 100M-5G PoE, 2 x 100G QSFP switch, front to rear air, 4 x 1050W AC
CCS-720XP-96ZC2-2F	Arista 720XP, 96 x 100M-5G PoE, 2 x 100G QSFP switch, front to rear air, 2 x 1050W AC
CCS-720XP-48ZC2-F	Arista 720XP, 40 x 100M-2.5G PoE, 8 x 100M-5G PoE, 4 x 25G SFP, 2 x 100G QSFP switch, front to rear air, 1 x 1050W AC
CCS-720XP-48ZC2-2F	Arista 720XP, 40 x 100M-2.5G PoE, 8 x 100M-5G PoE, 4 x 25G SFP, 2 x 100G QSFP switch, front to rear air, 2 x 1050W AC
CCS-720XP-24ZY4-F	Arista 720XP, 16 x 100M-2.5G PoE, 8 x 100M-5G PoE, 4 x 25G SFP switch, front to rear air, 1 x 650W AC
CCS-720XP-24ZY4-2F	Arista 720XP, 16 x 100M-2.5G PoE, 8 x 100M-5G PoE, 4 x 25G SFP switch, front to rear air, 2 x 650W AC
CCS-720XP-48Y6-F	Arista 720XP, 48 x 10/100M-1G PoE, 6 x 25G SFP switch, front to rear air, 1 x 1050W AC
CCS-720XP-48Y6-2F	Arista 720XP, 48 x 10/100M-1G PoE, 6 x 25G SFP switch, front to rear air, 2 x 1050W AC
CCS-720XP-24Y6-F	Arista 720XP, 24 x 10/100M-1G PoE, 6 x 25G SFP switch, front to rear air, 1 x 650W AC
CCS-720XP-24Y6-2F	Arista 720XP, 24 x 10/100M-1G PoE, 6 x 25G SFP switch, front to rear air, 2 x 650W AC
CCS-720XP-96ZC2-4F-NA	Arista 720XP, 96 x 100M-5G PoE, 2 x 100G QSFP switch, front to rear air, 4 x 1050W AC, NA Power Cord
CCS-720XP-96ZC2-2F-NA	Arista 720XP, 96 x 100M-5G PoE, 2 x 100G QSFP switch, front to rear air, 2 x 1050W AC, NA Power Cord
CCS-720XP-48ZC2-F-NA	Arista 720XP, 40 x 100M-2.5G, 8 x 100M-5G PoE, 4 x 25G SFP, 2 x 100G QSFP switch, front to rear air, 1 x 1050W AC, NA Power Cord
CCS-720XP-48ZC2-2F-NA	Arista 720XP, 40 x 100M-2.5G, 8 x 100M-5G PoE, 4 x 25G SFP, 2 x 100G QSFP switch, front to rear air, 2 x 1050W AC, NA Power Cords
CCS-720XP-24ZY4-F-NA	Arista 720XP, 16 x 100M-2.5G, 8 x 100M-5G PoE, 4 x 25G SFP switch, front to rear air, 1 x 650W AC, NA Power Cord
CCS-720XP-24ZY4-2F-NA	Arista 720XP, 16 x 100M-2.5G, 8 x 100M-5G PoE, 4 x 25G SFP switch, front to rear air, 2 x 650W AC, NA Power Cords
CCS-720XP-48Y6-F-NA	Arista 720XP, 48 x 10/100M-1G, 6 x 25G SFP switch, front to rear air, 1 x 1050W AC, NA Power Cord
CCS-720XP-48Y6-2F-NA	Arista 720XP, 48 x 10/100M-1G, 6 x 25G SFP switch, front to rear air, 2 x 1050W AC, NA Power Cords
CCS-720XP-24Y6-F-NA	Arista 720XP, 24 x 10/100M-1G PoE, 6 x 25G SFP switch, front to rear air, 1 x 650W AC, NA Power Cord
CCS-720XP-24Y6-2F-NA	Arista 720XP, 24 x 10/100M-1G PoE, 6 x 25G SFP switch, front to rear air, 2 x 650W AC, NA Power Cords
CCS-720XP-96ZC2-4F-UK	Arista 720XP, 96 x 100M-5G PoE, 2 x 100G QSFP switch, front to rear air, 4 x 1050W AC, UK Power Cord
CCS-720XP-96ZC2-2F-UK	Arista 720XP, 96 x 100M-5G PoE, 2 x 100G QSFP switch, front to rear air, 2 x 1050W AC, UK Power Cord
CCS-720XP-48ZC2-F-UK	Arista 720XP, 40 x 100M - 2.5G, 8 x 100M-5G PoE, 4 x 25G SFP, 2 x 100G QSFP switch, front to rear air, 1 x 1050W AC, UK Power Cord
CCS-720XP-48ZC2-2F-UK	Arista 720XP, 40 x 100M - 2.5G, 8 x 100M-5G PoE, 4 x 25G SFP, 2 x 100G QSFP switch, front to rear air, 2 x 1050W AC, UK Power Cords
CCS-720XP-24ZY4-F-UK	Arista 720XP, 16 x 2.5G, 8 x 100M-5G PoE, 4 x 25G SFP switch, front to rear air, 1 x 650W AC, UK Power Cord
CCS-720XP-24ZY4-2F-UK	Arista 720XP, 16 x 2.5G, 8 x 100M-5G PoE, 4 x 25G SFP switch, front to rear air, 2 x 650W AC, UK Power Cords
CCS-720XP-48Y6-F-UK	Arista 720XP, 48 x 10/100M-1G, 6 x 25G SFP switch, front to rear air, 1 x 1050W AC, UK Power Cord
CCS-720XP-48Y6-2F-UK	Arista 720XP, 48 x 10/100M-1G, 6 x 25G SFP switch, front to rear air, 2 x 1050W AC, UK Power Cords
CCS-720XP-24Y6-F-UK	Arista 720XP, 24 x 10/100M-1G PoE, 6 x 25G SFP switch, front to rear air, 1 x 650W AC, UK Power Cord
CCS-720XP-24Y6-2F-UK	Arista 720XP, 24 x 10/100M-1G PoE, 6 x 25G SFP switch, front to rear air, 2 x 1 x 650W AC, UK Power Cords
CCS-720XP-96ZC2-4F-EU	Arista 720XP, 96 x 100M-5G PoE, 2 x 100G QSFP switch, front to rear air, 4 x 1050W AC, EU Power Cord
CCS-720XP-96ZC2-2F-EU	Arista 720XP, 96 x 100M-5G PoE, 2 x 100G QSFP switch, front to rear air, 2 x 1050W AC, EU Power Cord

Product Number	Product Description
CCS-720XP-48ZC2-F-EU	Arista 720XP, 40 x 100M-2.5G, 8 x 100M-5G PoE, 4 x 25G SFP, 2 x 100G QSFP switch, front to rear air, 1 x 1050W AC, EU Power Cord
CCS-720XP-48ZC2-2F-EU	Arista 720XP, 40 x 100M-2.5G, 8 x 100M-5G PoE, 4 x 25G SFP, 2 x 100G QSFP switch, front to rear air, 2 x 1050W AC, EU Power Cords
CCS-720XP-24ZY4-F-EU	Arista 720XP, 16 x 100M-2.5G, 8 x 100M-5G PoE, 4 x 25G SFP switch, front to rear air, 1 x 650W AC, EU Power Cord
CCS-720XP-24ZY4-2F-EU	Arista 720XP, 16 x 100M-2.5G, 8 x 100M-5G PoE, 4 x 25G SFP switch, front to rear air, 1 x 650W AC, EU Power Cords
CCS-720XP-48Y6-F-EU	Arista 720XP, 48 x 10/100M-1G, 6 x 25G SFP switch, front to rear air, 1 x 1050W AC, EU Power Cord
CCS-720XP-48Y6-2F-EU	Arista 720XP, 48 x 10/100M-1G, 6 x 25G SFP switch, front to rear air, 2 x 1050W AC, EU Power Cords
CCS-720XP-24Y6-F-EU	Arista 720XP, 24 x 10/100M-1G PoE, 6 x 25G SFP switch, front to rear air, 1 x 650W AC, EU Power Cord
CCS-720XP-24Y6-2F-EU	Arista 720XP, 24 x 10/100M-1G PoE, 6 x 25G SFP switch, front to rear air, 2 x 650W AC, EU Power Cords
CCS-720XP-96ZC2-4F-C14	Arista 720XP, 96 x 100M-5G PoE, 2 x 100G QSFP switch, front to rear air, 4 x 1050W AC, C14 Power Cord
CCS-720XP-96ZC2-2F-C14	Arista 720XP, 96 x 100M-5G PoE, 2 x 100G QSFP switch, front to rear air, 2 x 1050W AC, C14 Power Cord
CCS-720XP-48ZC2-F-C14	Arista 720XP, 40 x 100M-2.5G, 8 x 100M-5G PoE, 4 x 25G SFP, 2 x 100G QSFP switch, front to rear air, 1 x 1050W AC, C14 Power Cord
CCS-720XP-48ZC2-2F-C14	Arista 720XP, 40 x 100M-2.5G, 8 x 100M-5G PoE, 4 x 25G SFP, 2 x 100G QSFP switch, front to rear air, 2 x 1050W AC, C14 Power Cords
CCS-720XP-24ZY4-F-C14	Arista 720XP, 16 x 100M-2.5G, 8 x 100M-5G PoE, 4x25G SFP switch, front to rear air, 1 x 650W AC, C14 Power Cord
CCS-720XP-24ZY4-2F-C14	Arista 720XP, 16 x 100M-2.5G, 8 x 100M-5G PoE, 4x25G SFP switch, front to rear air, 2 x 650W AC, C14 Power Cords
CCS-720XP-48Y6-F-C14	Arista 720XP, 48 x 10/100M-1G, 6 x 25G SFP switch, front to rear air, 1 x 1050W AC, C14 Power Cord
CCS-720XP-48Y6-2F-C14	Arista 720XP, 48 x 10/100M-1G, 6 x 25G SFP switch, front to rear air, 2 x 1050W AC, C14 Power Cords
CCS-720XP-24Y6-F-C14	Arista 720XP, 24 x 10/100M-1G PoE, 6 x 25G SFP switch, front to rear air, 1 x 650W AC, C14 Power Cord
CCS-720XP-24Y6-2F-C14	Arista 720XP, 24 x 10/100M-1G PoE, 6 x 25G SFP switch, front to rear air, 2 x 650W AC, C14 Power Cords
CCS-720XP-96ZC2-4F-JPN	Arista 720XP, 96 x 100M-5G PoE, 2 x 100G QSFP switch, front to rear air, 4 x 1050W AC, JPN Power Cord
CCS-720XP-96ZC2-2F-JPN	Arista 720XP, 96 x 100M-5G PoE, 2 x 100G QSFP switch, front to rear air, 2 x 1050W AC, JPN Power Cord
CCS-720XP-48ZC2-F-JPN	Arista 720XP, 40 x 100M-2.5G, 8 x 100M-5G PoE, 4 x 25G SFP, 2 x 100G QSFP switch, front to rear air, 1 x 1050W AC, JPN Power Cord
CCS-720XP-48ZC2-2F-JPN	Arista 720XP, 40 x 100M-2.5G, 8 x 100M-5G PoE, 4 x 25G SFP, 2 x 100G QSFP switch, front to rear air, 2 x 1050W AC, JPN Power Cords
CCS-720XP-24ZY4-F-JPN	Arista 720XP, 16 x 100M-2.5G, 8 x 100M-5G PoE, 4 x 25G SFP switch, front to rear air, 1 x 650W AC, JPN Power Cord
CCS-720XP-24ZY4-2F-JPN	Arista 720XP, 16 x 100M-2.5G, 8 x 100M-5G PoE, 4 x 25G SFP switch, front to rear air, 2 x 650W AC, JPN Power Cords
CCS-720XP-48Y6-F-JPN	Arista 720XP, 48 x 10/100M-1G, 6 x 25G SFP switch, front to rear air, 1 x 1050W AC, JPN Power Cord
CCS-720XP-48Y6-2F-JPN	Arista 720XP, 48 x 10/100M-1G, 6 x 25G SFP switch, front to rear air, 2 x 1050W AC, JPN Power Cords
CCS-720XP-24Y6-F-JPN	Arista 720XP, 24 x 10/100M-1G PoE, 6 x 25G SFP switch, front to rear air, 1 x 650W AC, JPN Power Cord
CCS-720XP-24Y6-2F-JPN	Arista 720XP, 24 x 10/100M-1G PoE, 6 x 25G SFP switch, front to rear air, 2 x 650W AC, JPN Power Cords
LIC-FIX-MG-E	Enhanced License for Arista Fixed 1G/mG Ethernet Switches (OSPF, BGP, ISIS, PIM, VXLAN)
LIC-FIX-MG-FLX-L	FLX-Lite License for Arista Fixed 1G/mG Ethernet Switches - Full Routing Up to 32K Routes, EVPN, VXLAN
SS-CV-G-SWITCH-1M	CloudVision SW Subscription License for 1-Month for 1 Switch. 1G Platforms. Includes Z.
SS-CV-LT-G-SWITCH-1M	CloudVision Lite SW Subscription License for 1-Month for 1 Switch. 1G Platforms.

Product Number	Product Description
PWR-621-AC-RED	Spare 650 Watt AC power supply for Arista 720XP 1RU Switches (front-to-rear airflow)
PWR-1021-AC-RED	Spare 1050 Watt AC power supply for Arista 720XP 1RU Switches (front-to-rear airflow)
PWR-621-AC-BLUE	Spare 650 Watt AC power supply for Arista 720XP 1RU Switches (rear-to-front airflow)
PWR-1021-AC-BLUE	Spare 1050 Watt AC power supply for Arista 720XP 1RU Switches (rear-to-front airflow)
PWR-721-DC-RED	Spare 700 Watt DC power supply for Arista 720XP 1RU Switches (front-to-rear airflow)
FAN-7012M-RED	Spare fan module for Arista 7000 Series 2RU Enhanced Fan Speed (front-to-rear airflow)
FAN-7012M-BLUE	Spare fan module for Arista 7000 Series 2RU Enhanced Fan Speed (rear-to-front airflow)
FAN-7000-F	Spare fan module for Arista 720XP, 7150, 7050X, and 7280 switches (front-to-rear airflow)
KIT-CCS-720	Spare accessory kit for Arista 720XP Series switches
CCS-720-PCVR	Spare Blank Cover for 720 Series Power Supply Slot
CAB-C15-AUS	Power Cord, Australia, C15 to AS/NZS 3112, 8 Feet (2.5m)
CAB-C14-C15	Power Cord C15 to C14 (2m)
CAB-C15-EUR	Power Cord, Europe, C15 to CEE 7/7, 8 Feet (2.5m)
CAB-C15-IT	Power Cord, Italy, C15 to CEI 23-16, 8 Feet (2.5m)
CAB-C15-UK	Power Cord, United Kingdom, C15 to BS 1363/A, 8 Feet (2.5m)
CAB-C15-NA	Power Cord, North America, C15 to NEMA 5-15P, 8 Feet (2.5m)
CAB-C15-JPN	Power Cord, JAPAN, C15 to NEMA5-15P, 12A/125V, 1.25mm ² , 1.8M, PSE
CAB-C15-ISR	Power Cord, Israel, C15-SI32, 10A/250V, 1.00mm ² , 2.5M
CAB-C15-CHN	Power Cord, China, C15-GB2099, 10A/250V, 1.00mm ² , 2.5M, CCC
CAB-C15-BRZ	Power Cord, Brazil, C15-NBR14136, 10A/250V, 1.00mm ² , 2.5M
CAB-C15-SWZ	Power Cord, Swiss, C15-SEV1011, 10A/250V, 1.00mm ² , 2.5M
CAB-C15-ARG	Power Cord, Argentina, C15-IRAM2073, 10A/250V, 1.00mm ² , 2.5M

Warranty

The Arista 720XP switches come with a one-year limited hardware warranty, which covers parts, repair, or replacement with a 10 business day turnaround after the unit is received.

Service and Support

Support services including next business day and 4-hour advance hardware replacement are available. For service depot locations, please see: <http://www.arista.com/en/service>

Headquarters

5453 Great America Parkway
Santa Clara, California 95054
408-547-5500

Support

support@arista.com
408-547-5502
866-476-0000

Sales

sales@arista.com
408-547-5501
866-497-0000